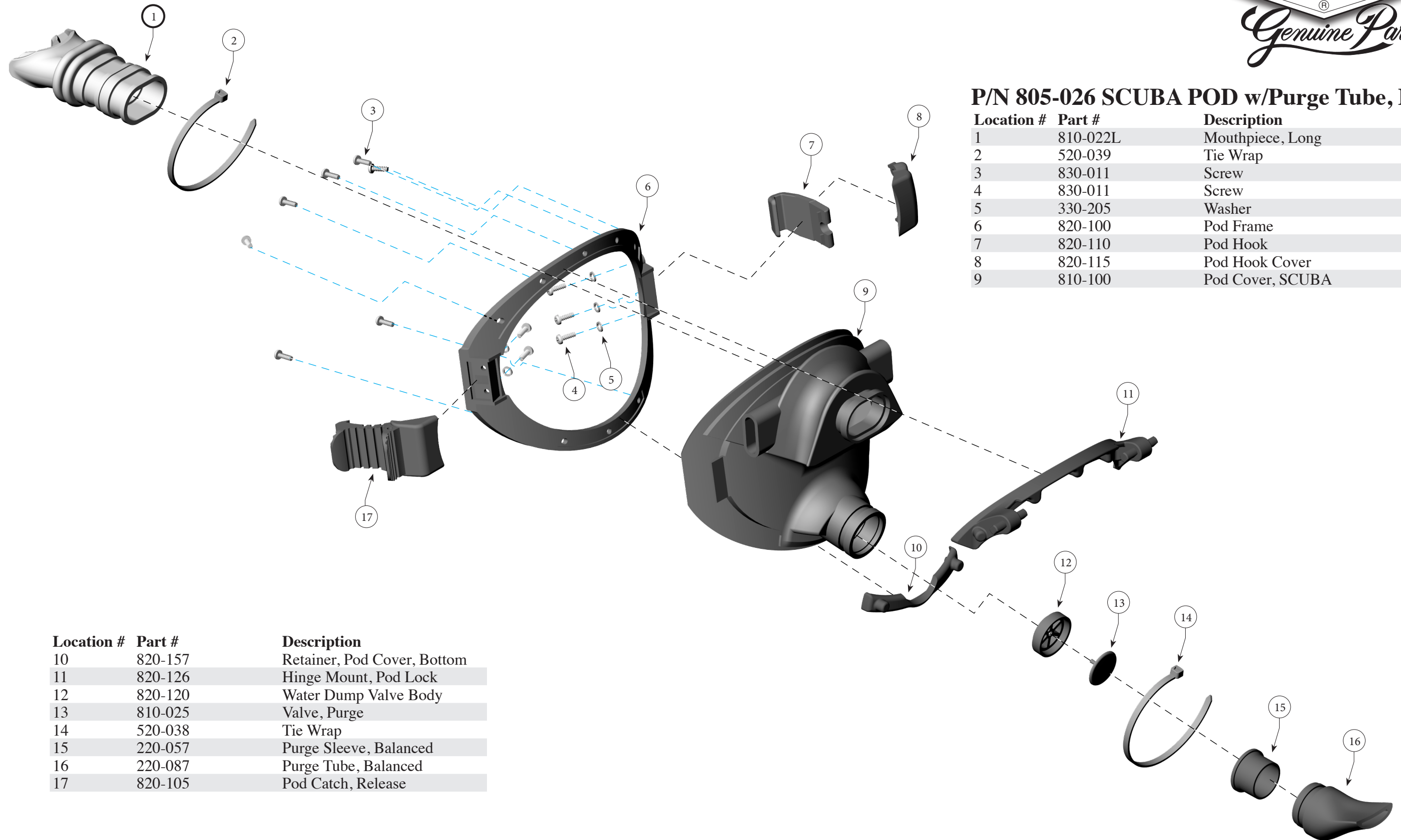


P/N 805-026 SCUBA POD w/Purge Tube, Balanced



Location #	Part #	Description
1	810-022L	Mouthpiece, Long
2	520-039	Tie Wrap
3	830-011	Screw
4	830-011	Screw
5	330-205	Washer
6	820-100	Pod Frame
7	820-110	Pod Hook
8	820-115	Pod Hook Cover
9	810-100	Pod Cover, SCUBA

Location #	Part #	Description
10	820-157	Retainer, Pod Cover, Bottom
11	820-126	Hinge Mount, Pod Lock
12	820-120	Water Dump Valve Body
13	810-025	Valve, Purge
14	520-038	Tie Wrap
15	220-057	Purge Sleeve, Balanced
16	220-087	Purge Tube, Balanced
17	820-105	Pod Catch, Release



Kirby Morgan Dive Systems, Inc.[®] 1430 Jason Way, Santa Maria, CA 93455

Phone: 805/928-7772 Fax: 805/928-0342

www.KirbyMorgan.com e-mail: kmdsi@KirbyMorgan.com