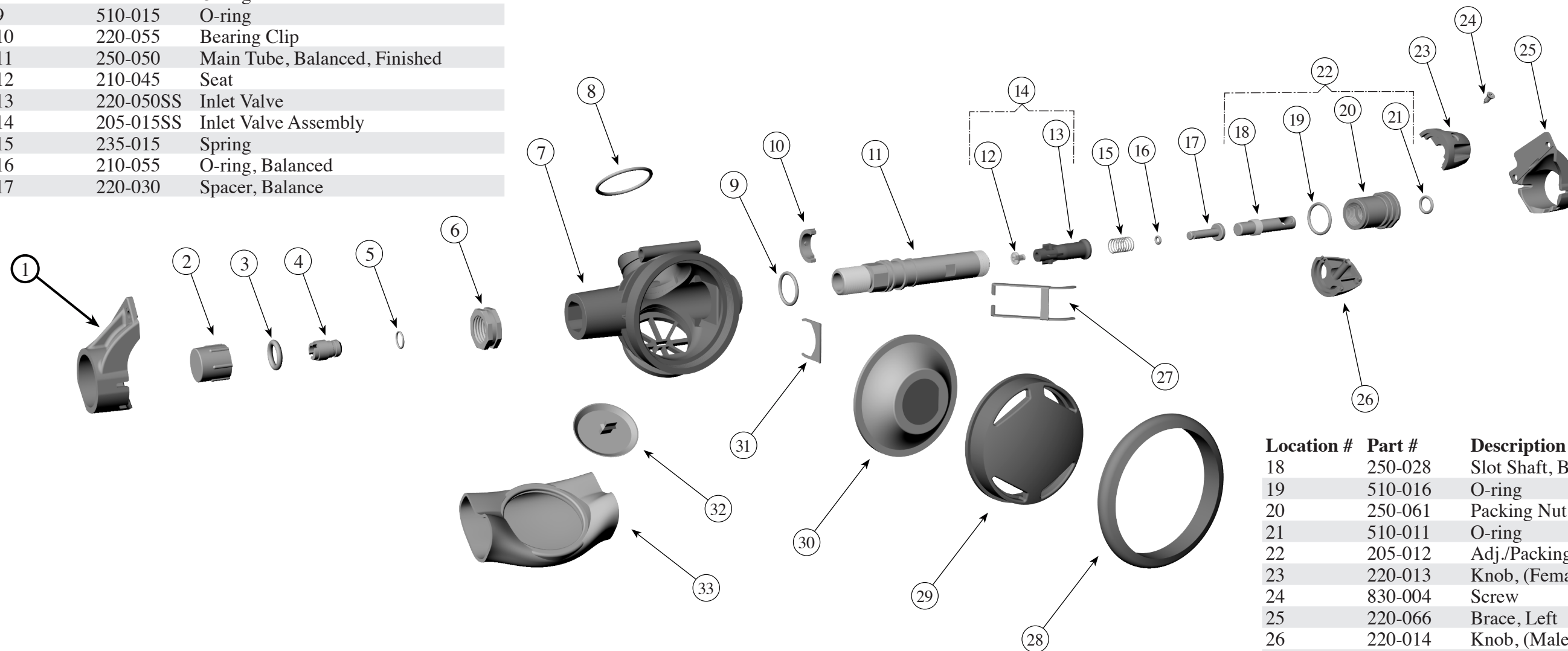


P/N 805-050 Regulator Assembly

Location #	Part #	Description
1	220-067	Brace, Right
2	220-078	Cap, Threaded, Hose Inlet
3	410-151	O-ring
4	250-060	Nipple
5	210-050	O-ring, Adj. Nipple
6	250-057	Jam Nut, Main Tube
7	205-026	Reg. Body Assembly, Switchover
8	810-124	O-ring
9	510-015	O-ring
10	220-055	Bearing Clip
11	250-050	Main Tube, Balanced, Finished
12	210-045	Seat
13	220-050SS	Inlet Valve
14	205-015SS	Inlet Valve Assembly
15	235-015	Spring
16	210-055	O-ring, Balanced
17	220-030	Spacer, Balance



Location #	Part #	Description
18	250-028	Slot Shaft, Balanced
19	510-016	O-ring
20	250-061	Packing Nut, Balanced Reg.
21	510-011	O-ring
22	205-012	Adj./Packing Nut Assy.
23	220-013	Knob, (Female)
24	830-004	Screw
25	220-066	Brace, Left
26	220-014	Knob, (Male)
27	240-003	Lever Arm
28	250-038	Cover Ring
29	210-043	Diaphragm Cover
30	205-010	Diaphragm Assembly
31	240-005	Lock Clip
32	810-136	Exhaust Valve
33	810-139	Hi Flow Exhaust Tee



Kirby Morgan Dive Systems, Inc.[®] 1430 Jason Way, Santa Maria, CA 93455

Phone: 805/928-7772 Fax: 805/928-0342

www.KirbyMorgan.com e-mail: kmdsi@KirbyMorgan.com