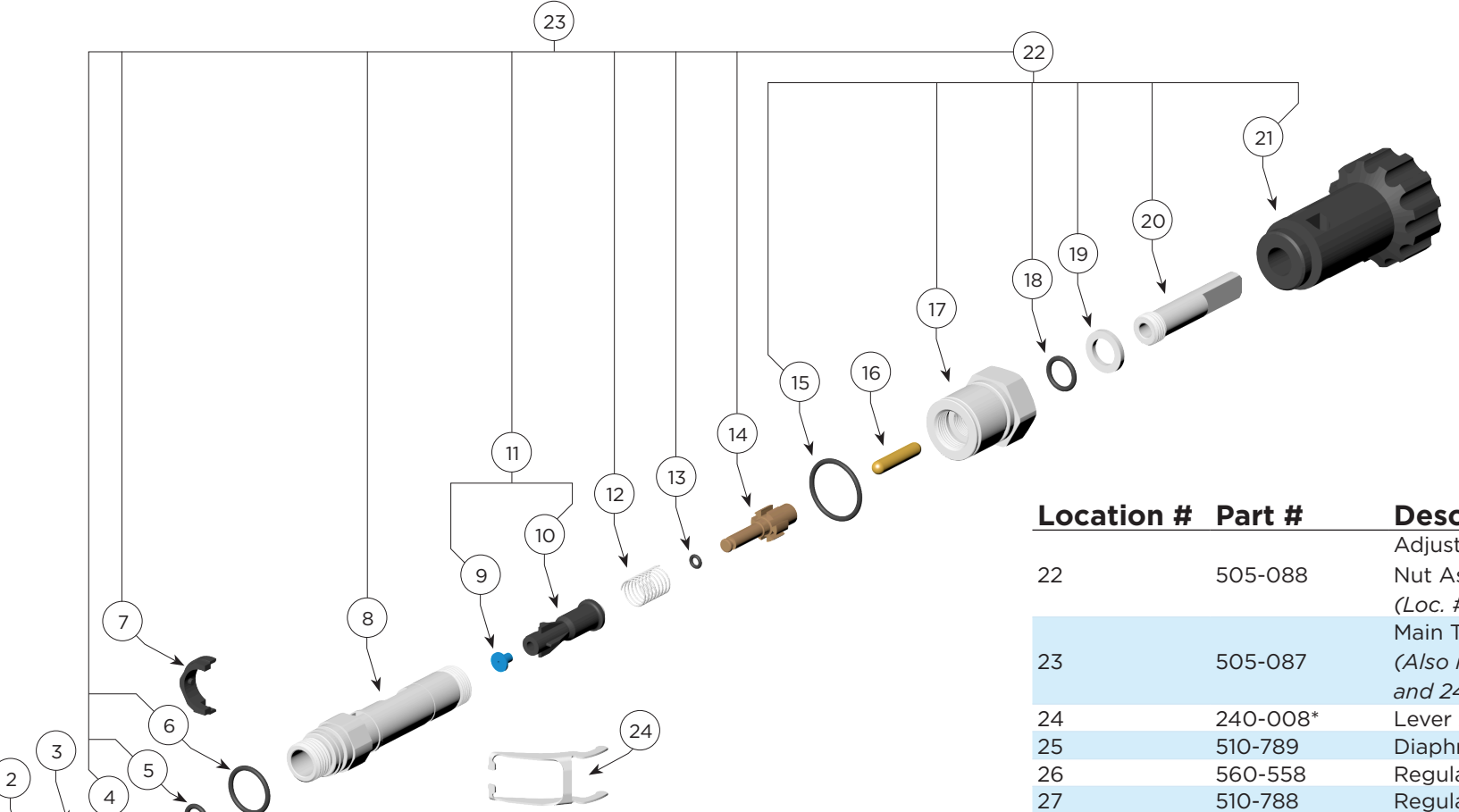
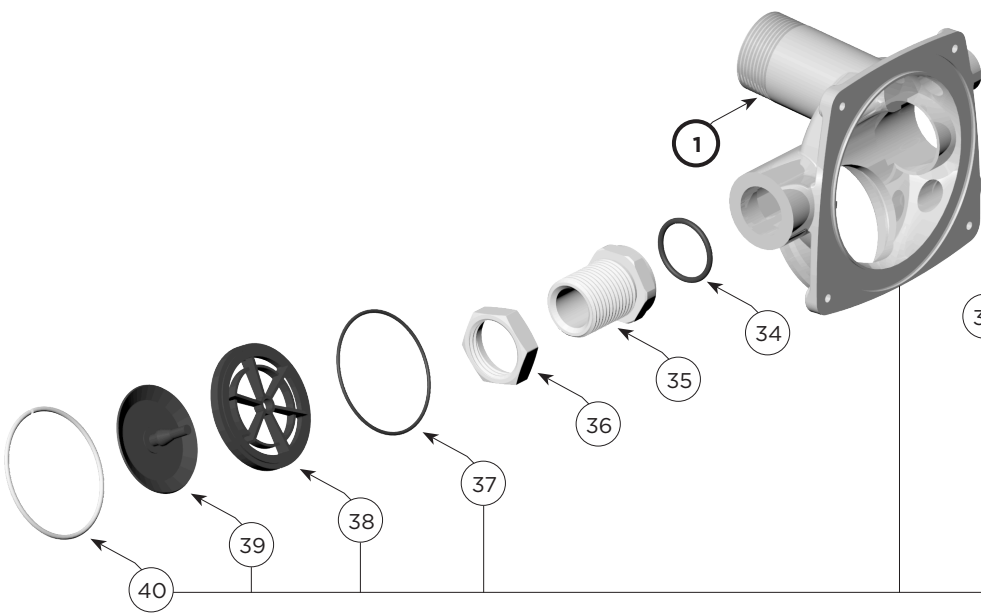
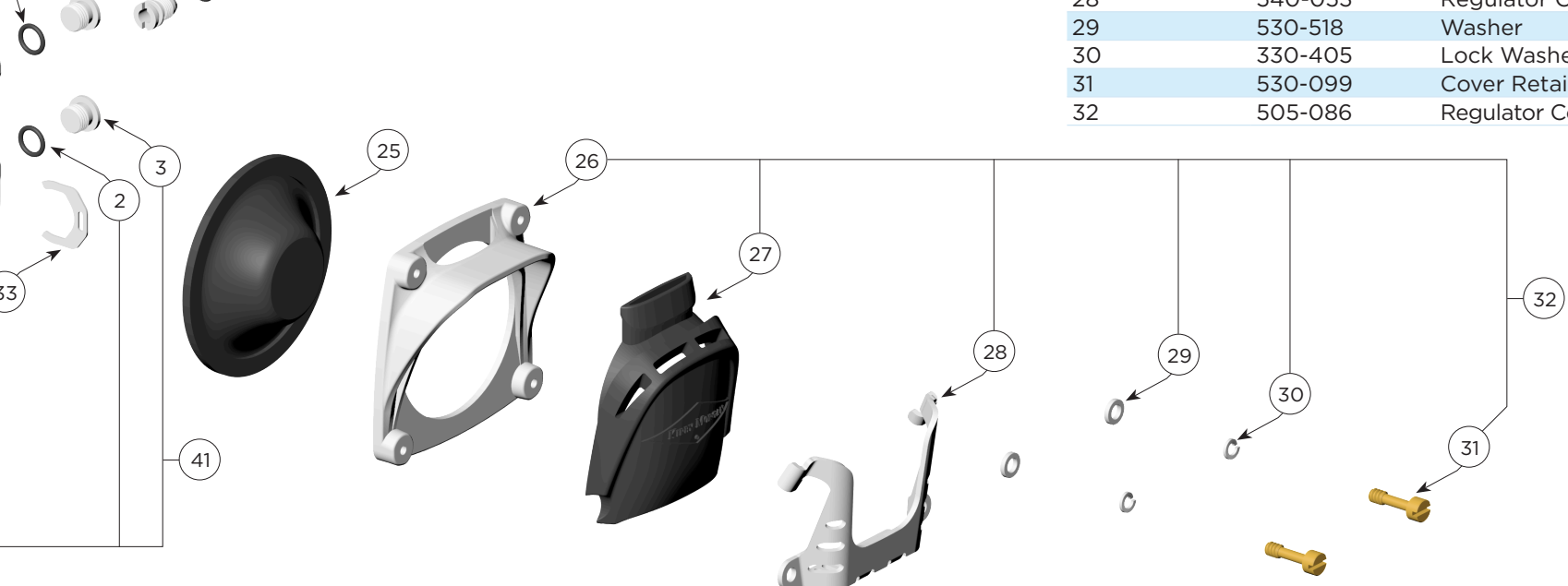


455 Regulator Assembly, P/N 505-455, (Order P/N 525-765)

Location #	Part #	Description
1	Order 505-085	Regulator Housing Stainless Steel
2	310-003	O-ring <i>(Included with location #3)</i>
3	550-095	Plug, w/O-ring
4	250-031	Adjustment Nipple
5	510-010	O-ring
6	510-015	O-ring
7	220-056	Bearing Clip
8	550-161	455 Main Tube
9	210-060	Valve Seat
10	220-050SS	Inlet Valve, Stainless Steel Tube
11	205-020	Inlet Valve Assembly
12	235-015	Spring
13	210-055	O-ring, Balanced
14	550-549	Balance Spacer.
15	510-018	O-ring
16	550-643	Transfer Pin
17	550-567	Adjustment Packing Nut
18	510-012	O-ring
19	550-640	Shaft Bearing Washer
20	550-158	Adjustment Shaft
21	520-517	Flex Knob



Location #	Part #	Description
22	505-088	Adjustment (Flex) Knob/Packing Nut Assembly <i>(Loc. #16 NOT Included)</i>
23	505-087	Main Tube Assembly <i>(Also includes loc. #16, 22 and 24)</i>
24	240-008*	Lever Arm
25	510-789	Diaphragm
26	560-558	Regulator Cover Retainer Frame
27	510-788	Regulator Purge Cover
28	540-053	Regulator Cover Guard
29	530-518	Washer
30	330-405	Lock Washer
31	530-099	Cover Retainer Screw
32	505-086	Regulator Cover Retainer Assembly



Location #	Part #	Description
33	540-531	Packing Lock Clip
34	510-017	O-ring
35	550-533*	Bent Tube Adapter
36	550-050	Jam Nut
37	510-019	O-ring
38	520-022	Exhaust Valve Insert
39	510-776	Exhaust Valve

Location #	Part #	Description
40	540-012	Retaining Ring
41	505-085	Regulator Body Assembly <i>(Includes location #1, 2, 3, 37, 38, 39 and 40)</i>

* Denotes a critical component