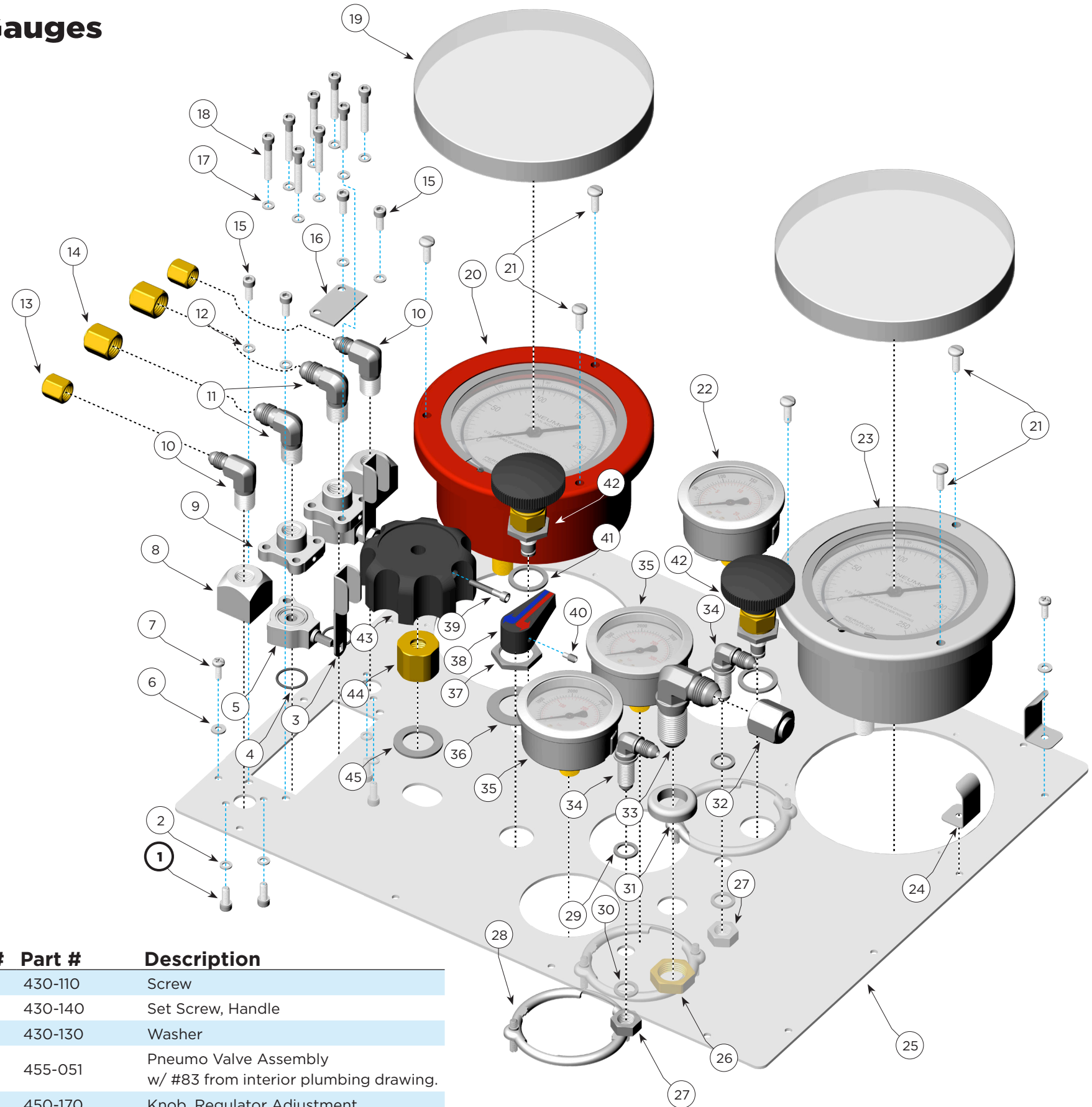


KMACS 5 Panel Mounted Plumbing and Gauges

Location #	Part #	Description
1	430-111	Screw
2	430-134	Washer
3	440-212	Shut-Off Valve Handle
4	510-017	O-ring
5	455-157	Shut-Off Valve <i>Must order P/N 425-110 (qty. 2 valves)</i>
6	430-075	Washer
7	530-035	Screw
8	450-144	Pneumo Block
9	450-185	Flange
10	455-032	SS Elbow
11	455-143	SS Elbow
12	430-134	Washer
13	455-007	Cap, Pneumo
14	455-006	Cap, Umbilical Outlet Medium Cover Cap
15	430-111	Screw
16	440-210	Handle Stop
17	430-134	Washer
18	430-141	Screw
19	420-140	Gauge Cover
20	440-010	Pneumo Gauge, Red
21	530-040	Screw
22	440-150	Gauge, 0-300 psi
23	440-011	Pneumo Gauge, White
24	440-115	Hose Holder
25	445-100	KMACS-5 Main
26	455-152	Jam Nut
27	455-190	Jam Nut
28	445-020	Bracket, Gauge Mount
29	430-116	Washer
30	430-115	Washer, H.P. Inlet
31	450-136	Inlet Spacer
32	455-005	Cap, L.P. Inlet
33	455-111	L.P. Inlet Elbow
34	455-185	Elbow
35	440-155	Gauge, 0-5,000 psi
36	430-205	Selector Washer
37	455-140	Selector Valve Assembly w/ #102 from interior plumbing drawing.
38	420-225	Selector Handle



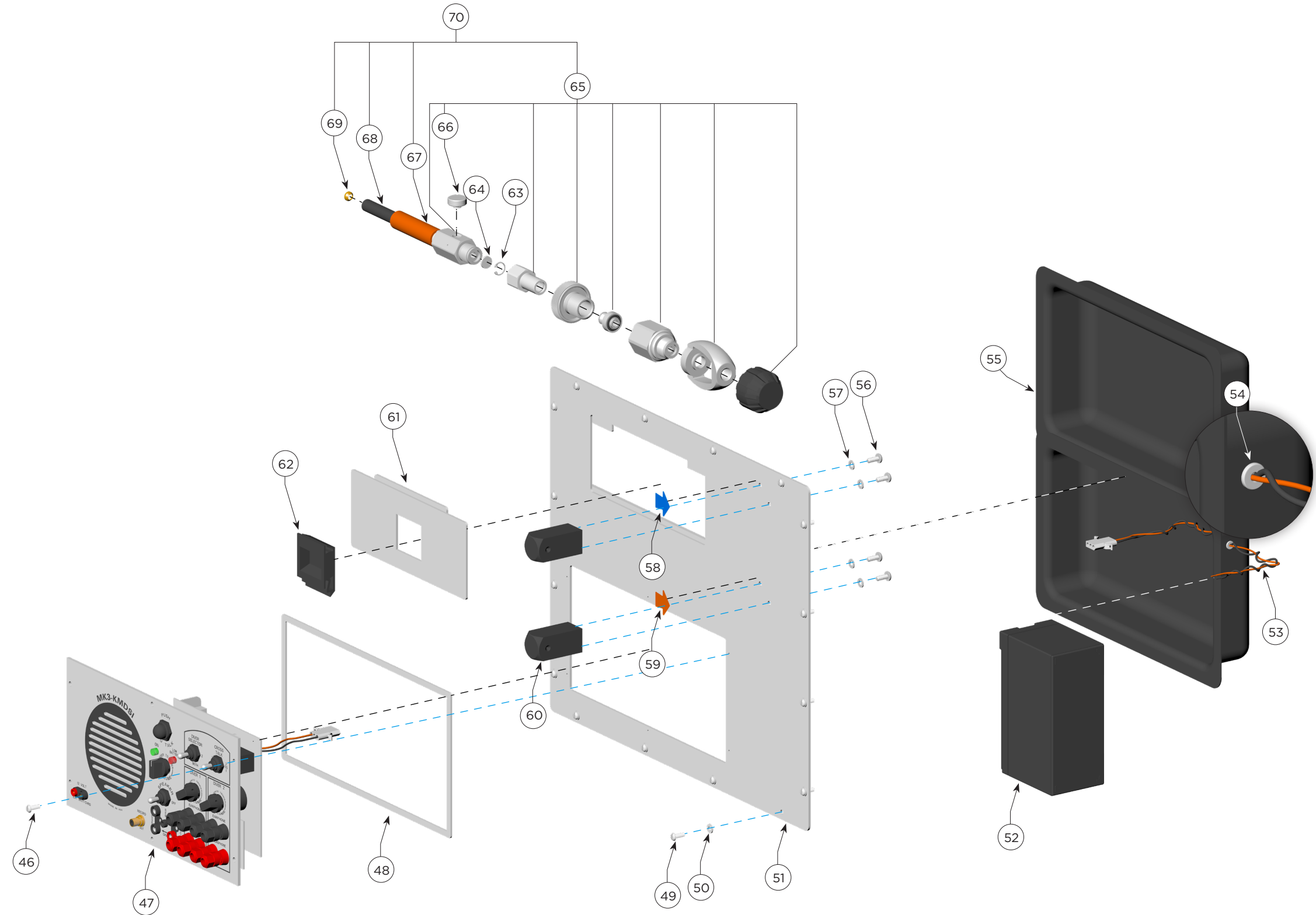
Location #	Part #	Description
39	430-110	Screw
40	430-140	Set Screw, Handle
41	430-130	Washer
42	455-051	Pneumo Valve Assembly w/ #83 from interior plumbing drawing.
43	450-170	Knob, Regulator Adjustment
44	450-125	Mount Nut, Regulator
45	430-126	Washer

Communicator Panel

Location #	Part #	Description
46	530-017	Screw
47	415-107	Communicator <i>(May need charger, see bulletin #5 of 2010)</i>
48	410-003	Gasket, Foam Tape 1/16" x 1/4"
49	530-035	Screw
50	430-075	Flat Washer
51	445-105	Top Panel
52	415-056	Battery
53	415-110	Cable, Battery
54	410-145	1" Panel Grommet
55	420-105	Communicator Cover
56	530-070	Screw
57	330-405	Lock washer
58	420-120	Arrow, 1" Blue
59	420-125	Arrow, 1" Orange
60	450-106	Yoke Retainer Block, Tall
61	445-115	Door
62	420-160	Slide Latch
63	430-060	Retainer Ring
64	455-065	Filter
65	455-317	Yoke/Din Assembly <i>(Location #s 63 and 64 not included)</i>
66	455-294	Screw, Bleeder Valve <i>(Order P/N 425-165)</i>
67	410-006	Hose Protector, Orange
	410-007	Hose Protector, Blue
68	455-054	5000 PSI Hose (45" HP Hose)
69	455-135	Conical Seal
70	405-175	Yoke / Din Assembly, Blue
	405-176	Yoke / Din Assembly, Orange

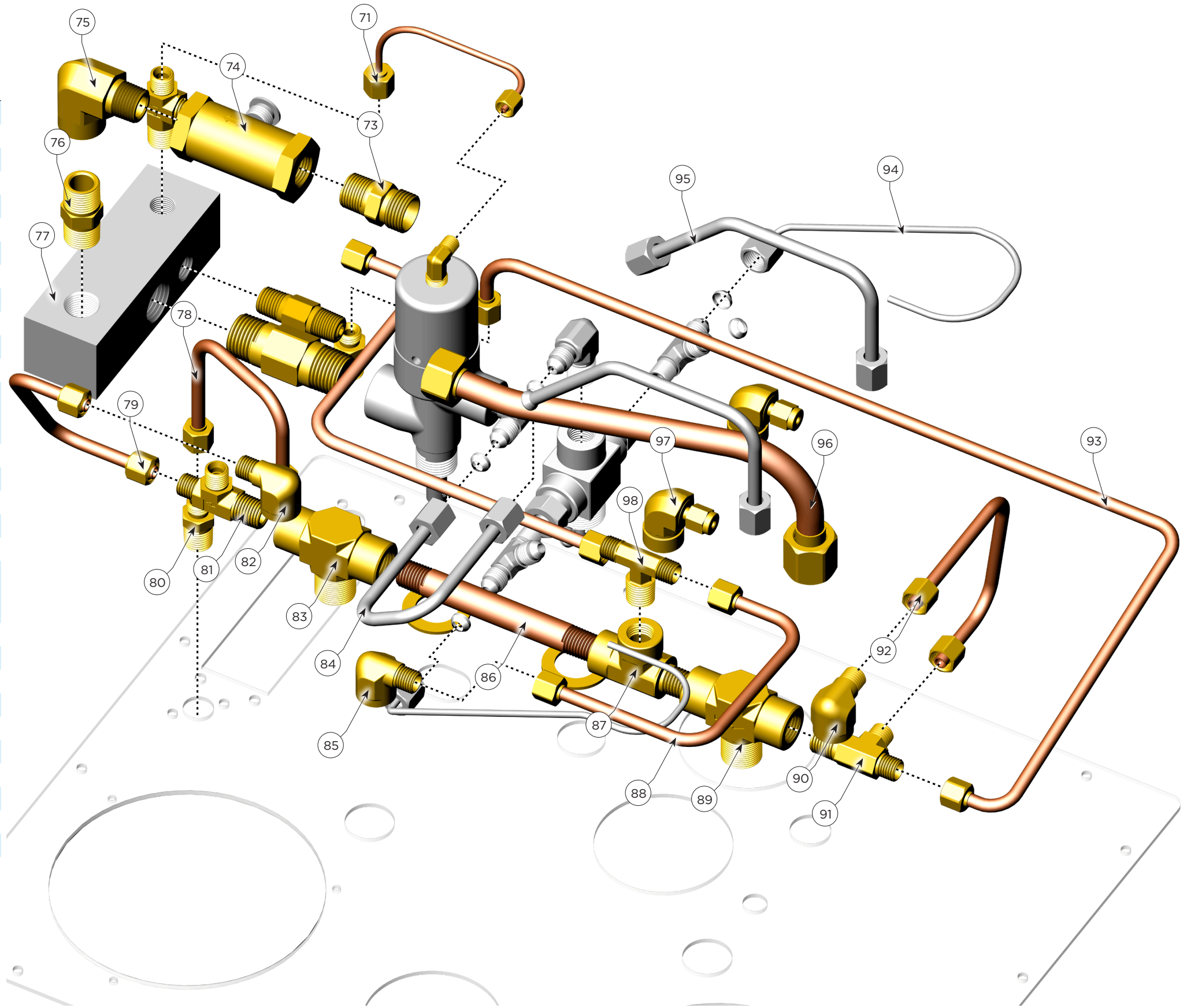
Not Shown

Part #	Description
420-101	Case
415-150	Battery Charger for MK3 Communicator

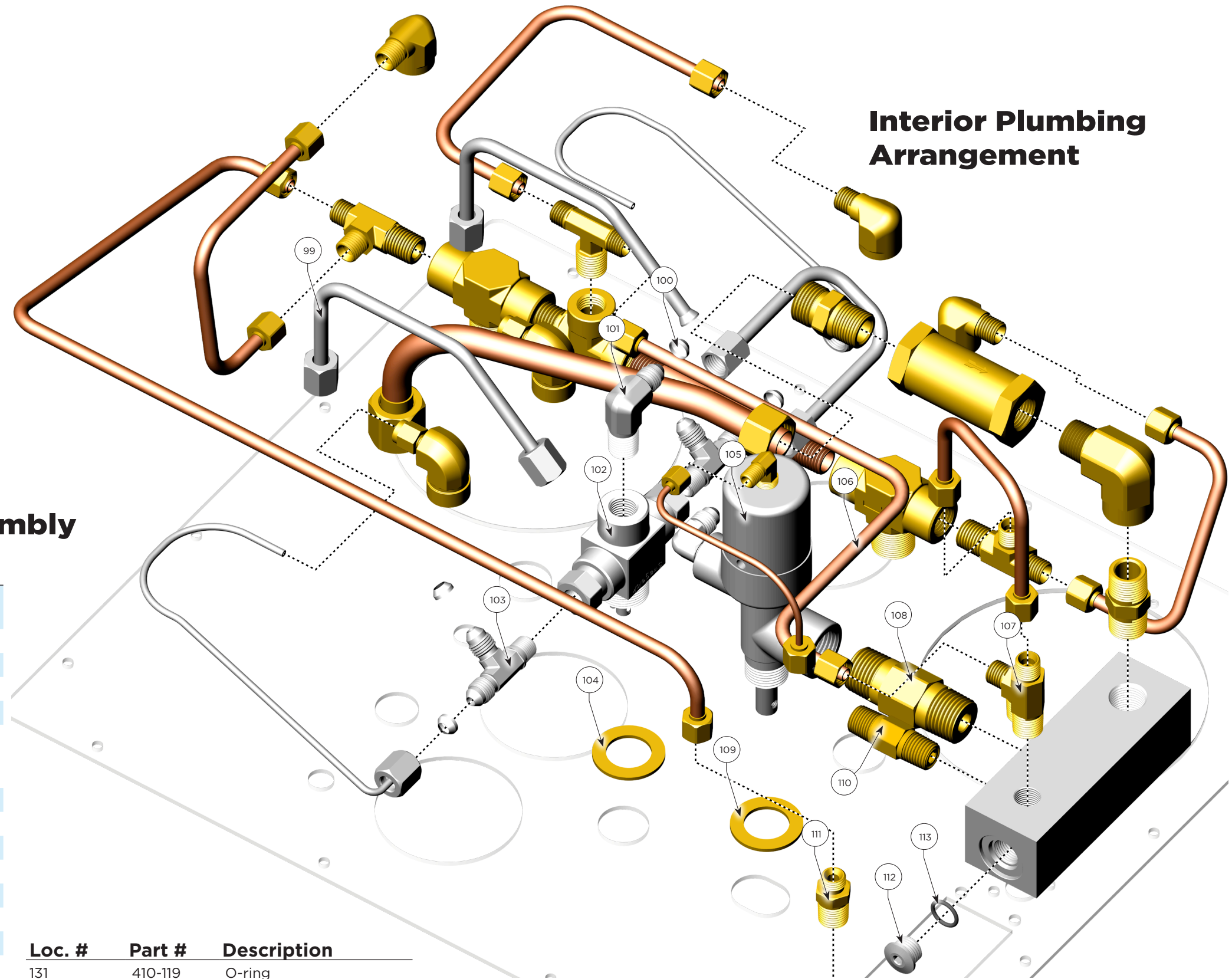


Interior Plumbing Arrangement

Location #	Part #	Description
71	405-155	Tube, Regulator Sensor
72	455-075	Male Elbow
73	455-024	Inlet Union
74	455-049	Check Valve, L.P.
75	455-120	Elbow
76	455-126	3/8" NPT Nipple
77	450-142	Manifold Block
78	405-160	Outlet Tube, Red Pneumo
79	405-150	Tube, Red Pneumo Gauge
80	455-149	Male Connector
81	455-180	Tee
82	455-040	Elbow
83	455-051	Pneumo Valve w/ #42 from Panel Mounted Plumbing and Gauges drawing
84	405-106	SS Tube Assembly, H.P.
85	455-040	Elbow
86	455-123	Nipple
87	455-121	Street "T"
88	405-107	Tube, Umbilical Pressure Gauge
89	455-051	Pneumo Valve w/ #42 from Panel Mounted Plumbing and Gauges drawing
90	455-040	Elbow
91	455-180	Tee
92	405-102	Tube, White Pneumo Gauge
93	405-161	Outlet Tube, White Pneumo
94	405-170	Tube, H.P. Gauge
95	405-105	Inlet Tube, H.P.
96	405-110	L.P. Air Supply
97	455-305	Elbow Assembly
98	455-117	Fitting
99	405-105	Inlet Tube, H.P.

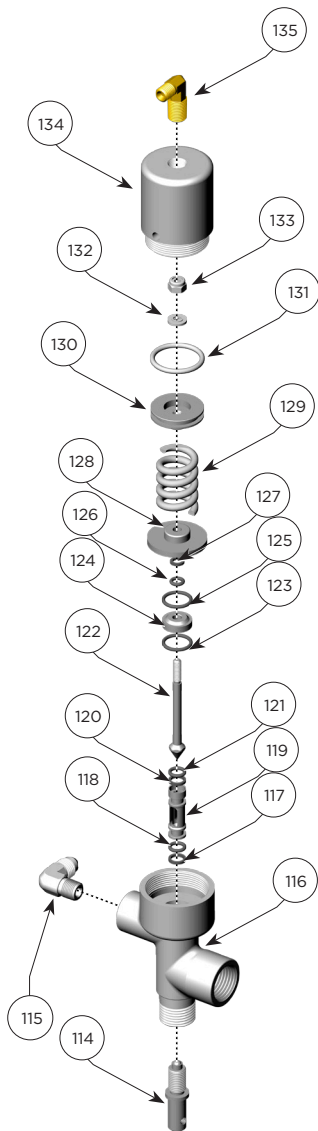


Location #	Part #	Description
100	455-135	Conical Seal
101	455-032	Outlet Elbow Fitting S.S.
102	455-140	Selector Valve Panel w/ #37 from Panel Mounted Plumbing and Gauges drawing
103	455-196	Tee
104	430-120	Washer
105	405-120	Regulator Assembly
106	405-145	Tube, Main Pneumo Supply
107	455-180	Male Run Tee
108	455-130	Check Valve L.P.
109	430-126	Washer, Regulator Mount
110	455-047	Overpressure Relief Valve
111	455-149	Male Connector
112	350-062	L.P. Plug, High-Flow
113	510-013	O-ring



Interior Plumbing Arrangement

405-120 Regulator Assembly



Loc. #	Part #	Description
114	450-120	Stem, Regulator Adjustment
115	455-197	Male Elbow
116	460-110	Regulator Body
117	410-010	O-ring
118	510-010	O-ring
119	450-038	Seat Assembly (includes 117, 118, 120 and 121)
120	410-010	O-ring
121	510-010	O-ring
122	450-037	Piston Stem
123	510-014	O-ring
124	450-034	Packing Washer, Small
125	510-014	O-ring
126	510-008	O-ring
127	410-008	Back-up Ring, Large Internal
128	450-033	O-ring Cap, Large
129	435-006	Spring
130	450-032	Piston Head

Loc. #	Part #	Description
131	410-119	O-ring
132	410-121	Thread Seal
133	430-022	Nylok Locknut
134	450-157	Regulator Cylinder
135	455-075	Elbow