

# Kirby Morgan® Diamond Helmet P/N 500-710 / 500-711

Location #	Part #	Description
1	510-754	Head Cushion Assembly
	510-722	Head Cushion Bag
	510-837	Head Cushion Foam Spacer Assembly (Order P/N 525-745)
2	510-836	Head Cushion Foam Spacer Bag
3	510-575	Nose Block Pad
4	545-015	Nose Block Device
5	510-739	Oral Nasal Insert, Diamond
6	520-020	Valve Body
7	510-550	Valve, Oral Nasal
8	510-740	Diamond Oral Nasal
9	530-058	Screw
10	330-405	Washer, Lock
11	530-078	Screw
12	520-265	Top
13	530-527	Washer
14	540-581	Handle, KM Diamond
15	510-266	Grip
16	550-285	Mount Bar
17	505-767	Handle Assembly, KM Diamond (excludes loc. #18)
18	530-059	Screw
19	560-517*	Helmet Shell, Stainless Steel
20	510-260	O-ring, View Port
21	520-004*	Face Port
22	540-563	Port Retainer
23	530-059	Screw
24	550-566	Adapter
25	530-052	Screw
26	505-738	Port Retainer Assembly
27	530-078	Screw
28	560-300	Zinc Whisker Anode
29	550-062	Knob, Nose Block
30	555-180	Packing Nut, Nose Block
31	510-008	O-ring
32	550-577	Nose Block Guide
33	510-010	O-ring
34	510-772	Bypass Equalizer Tube
35	530-074	Screw
36	505-375	Surface Bypass Valve Assembly
37	530-527	Washer
38	530-059	Screw
39	520-049	Tie Wrap
40	555-170	Hex Bushing 1/4" x 3/8" NPT (Included with purchase—not installed)
41	530-076	Screw
42	540-158	Bracket, Surface Bypass Valve
43	505-753	Airtrain Assembly, Stainless Helmet
44	530-415	Washer
45	530-317	Nut
46	530-083	Screw
47	550-571	Sleeve
48	530-535	Washer
49	550-574	Sleeve

Location #	Part #	Description
50	530-032	Screw
51	540-039	Front Stand Off
52	530-059	Screw
53	525-116	Front Stand Off Kit (2 each of loc. #51 and 52)
54	510-735	Pickup Tube
55	505-378	Water Purge Assembly
56	550-141	Assembly Retainer Ring
57	510-735	Pickup Tube
58	830-015	Screw
59	330-205	Washer
60	520-550	Oral Nasal Mount
61	550-136	Port Plug, Large
62	310-021	O-ring
63	520-552	Inhalation Tube
64	560-559	Regulator Pod
65	510-127	O-ring
66	505-385	Diamond Pod Subassembly (includes loc. #s 84, 85 and 86)
67	530-309	Cap Screw
68	505-752	Diamond Main Tube Assembly
69	540-531	Lock Clip
70	510-789	Diaphragm Assembly
71	505-373	Regulator Cover/Retainer Assembly
72	505-376	Surface Bypass Hose Assembly (includes loc. #73)
73	510-016	O-ring
74	530-089	Screw
75	510-732	Shroud, Inhale Regulator
76	550-644	Pin
77	510-733	Access Cover
78	520-038	Tie Wrap
79	510-731	Diamond Valve Shroud
80	530-086	Screw
81	430-134	Washer
82	505-400	Diamond Exhaust Assembly
83	810-025	Purge Valve
84	510-018	O-ring
85	550-162	Hex Insert
86	530-018	Screw
87	510-017	O-ring
88	550-533	Bent Tube Adapter
89	550-050	Jam Nut
90	510-403	Gasket, Pod
91	530-527	Washer
92	530-059	Screw
93	530-145	Lock Nut
94	530-035	Screw
95	530-546	Washer for Swing Catch
96	550-061	Spacer
97	520-167	Teflon® Washer for Swing Catch
98	550-122	Spring Spacer
99	530-045	Screw
100	535-825	Spring, Swing Catch

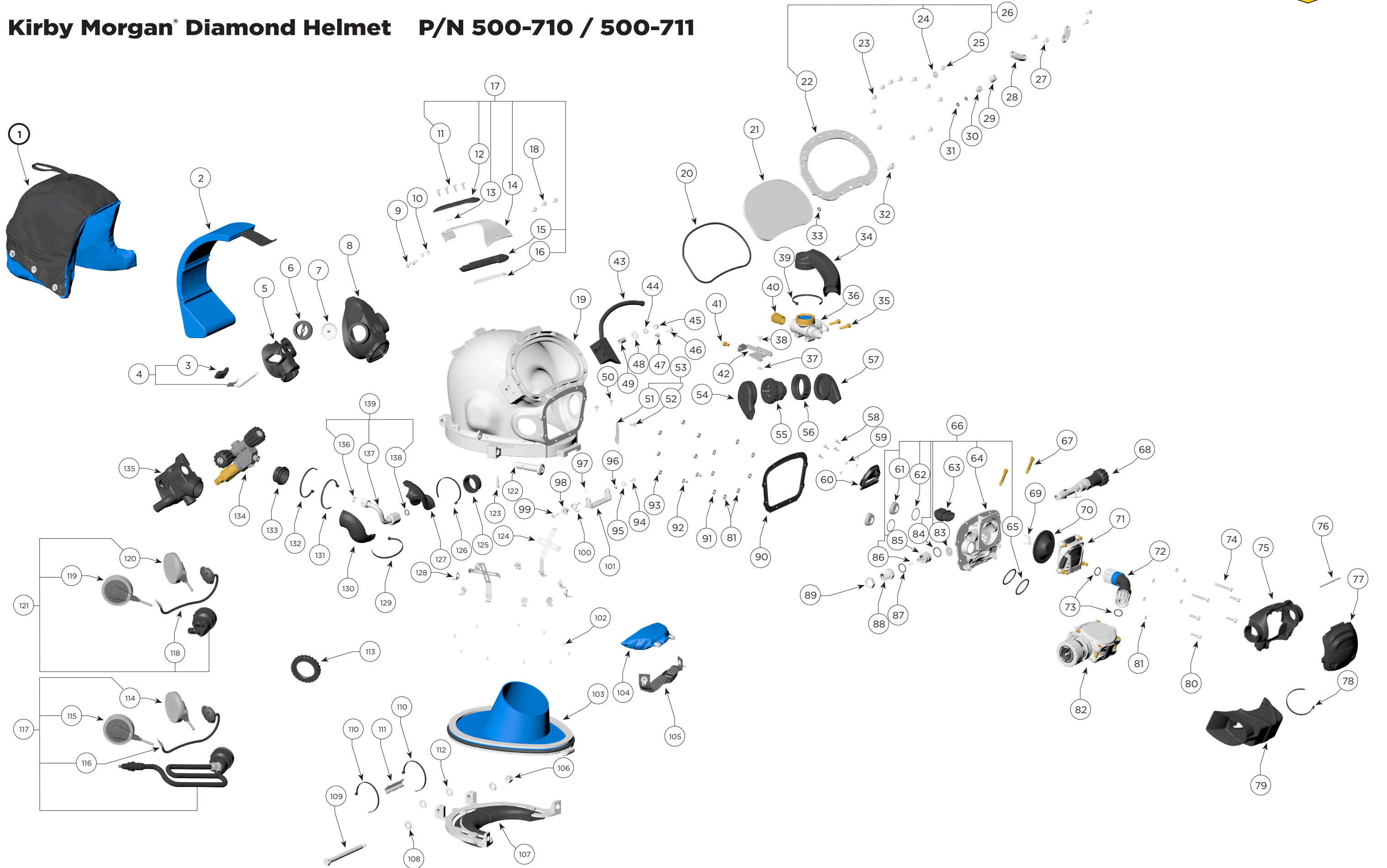
Location #	Part #	Description
101	540-086	Swing Catch
102	530-037	Screw
103	505-746	Neck Ring Assembly, Medium, S.S.
104	510-683	Chin Cushion
	510-639	Chin Cushion Bag
105	505-748	Chin Strap Assembly, w/Snaps, S.S.
106	530-028	Lock Nut
107	505-755	Locking Collar Assembly, S.S.
108	530-545	Washer
109	530-027	Hinge Bolt
110	520-038	Tie Wrap
111	560-304	Zinc Sleeve Anode
112	520-165	Washer
113	320-026	Comm. Mount Nut
114	515-019	Earphone, Left, 15.5"
115	515-018	Earphone, Right, 9"
116	515-029	Microphone Assembly
117	515-024	Comm, Assembly w/MWPC
118	515-029	Microphone Assembly
119	515-018	Earphone, Right, 9"
120	515-019	Earphone, Left, 15.5"
121	515-023	Comm. Assembly w/Posts
122	505-110	Sealed Pull Pin Assembly
123	530-015	Screw
124	505-742	Earphone Retainer Assembly, S.S.
125	550-572	Adapter Sleeve
126	520-039	Tie Wrap
127	510-737	Water Tube-B
128	505-740	Snap Tab Assembly, S.S.
129	520-039	Tie Wrap
130	510-736	Water Tube-A
131	520-039	Tie Wrap
132	520-049	Tie Wrap
133	550-572	Adapter Sleeve
134	505-732	Side Block Assembly
135	510-734	Side Block Shroud
136	520-033	O-ring, Teflon*
137	555-074	Bent Tube Assembly, No O-rings (Order P/N 555-075)
138	510-012	O-ring
139	555-075	Bent Tube w/O-rings

**⚠ CAUTION**

**Use only Kirby Morgan original replacement parts. The use of other manufacturers' parts will interfere with the performance characteristics of your life support equipment and may jeopardize your safety. Additionally, any substitutions will void any warranties offered by KMDSI. When ordering spares, always insist on Kirby Morgan original parts.**

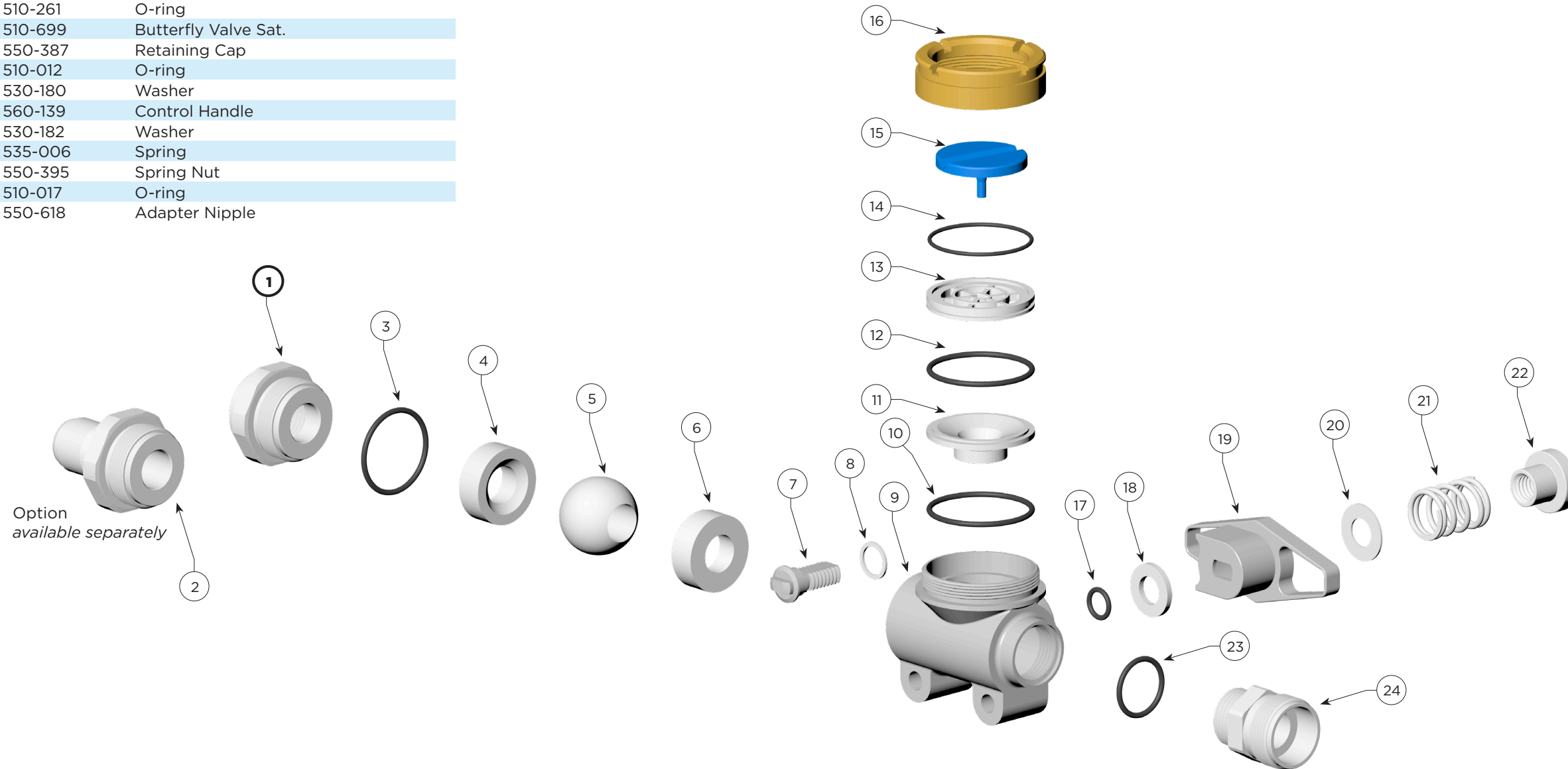
\* Denotes a critical component

# Kirby Morgan® Diamond Helmet P/N 500-710 / 500-711



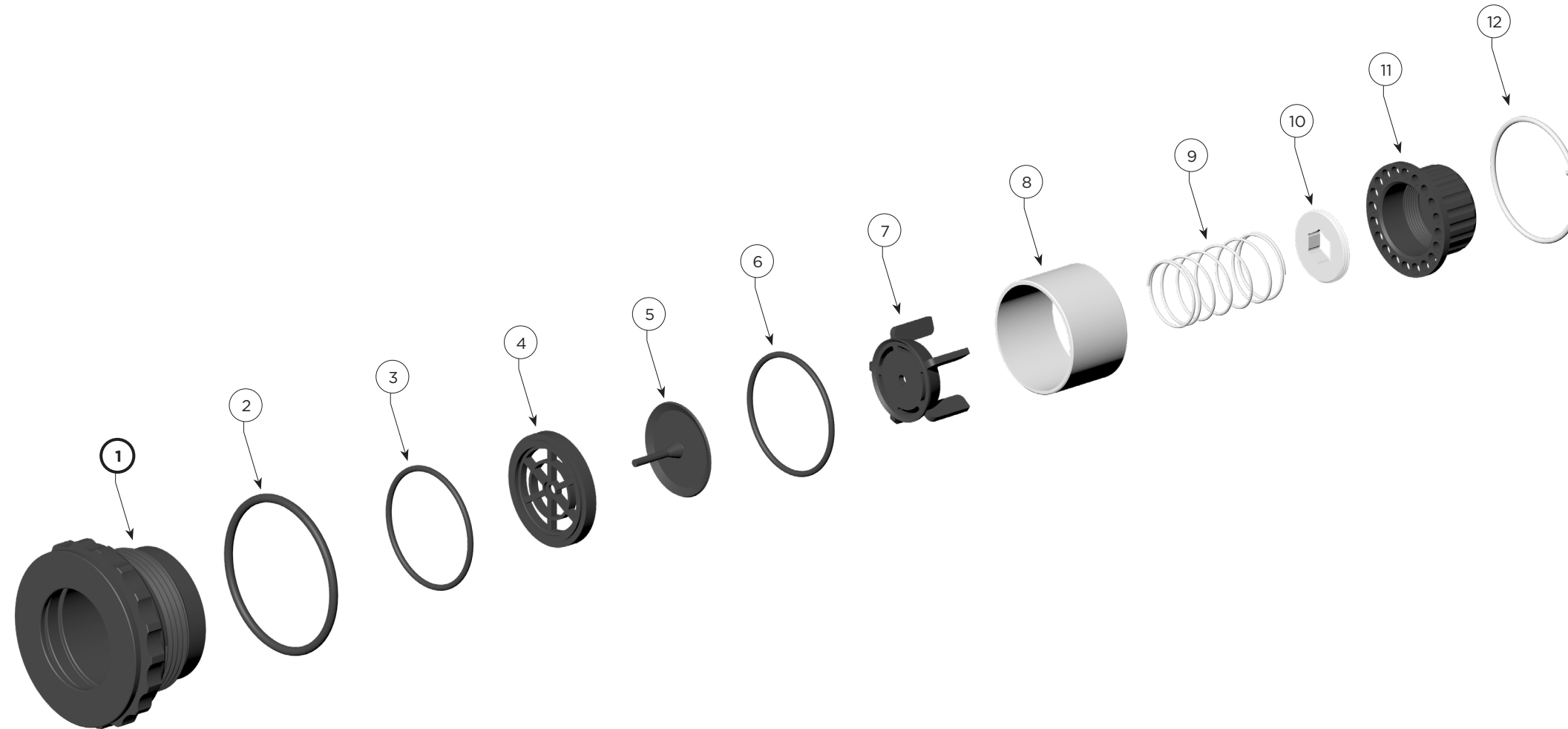
# Surface Bypass Valve Assembly P/N 505-375

Location #	Part #	Description
1	550-616	Hose Fitting Adapter 1/2" NPT
2	550-390	Q.D. Adapter ( <i>optional</i> )
3	310-022	O-ring
4	550-388	Ball Seal
5	550-389	Control Ball
6	550-388	Ball Seal
7	550-391	Ball Control Stem
8	530-179	Stem Washer
9	550-385	Surface Bypass Valve Body
10	510-026	O-ring
11	550-386	Exhaust Port Seal
12	510-026	O-ring
13	550-374	Butterfly Valve Seat
14	510-261	O-ring
15	510-699	Butterfly Valve Sat.
16	550-387	Retaining Cap
17	510-012	O-ring
18	530-180	Washer
19	560-139	Control Handle
20	530-182	Washer
21	535-006	Spring
22	550-395	Spring Nut
23	510-017	O-ring
24	550-618	Adapter Nipple



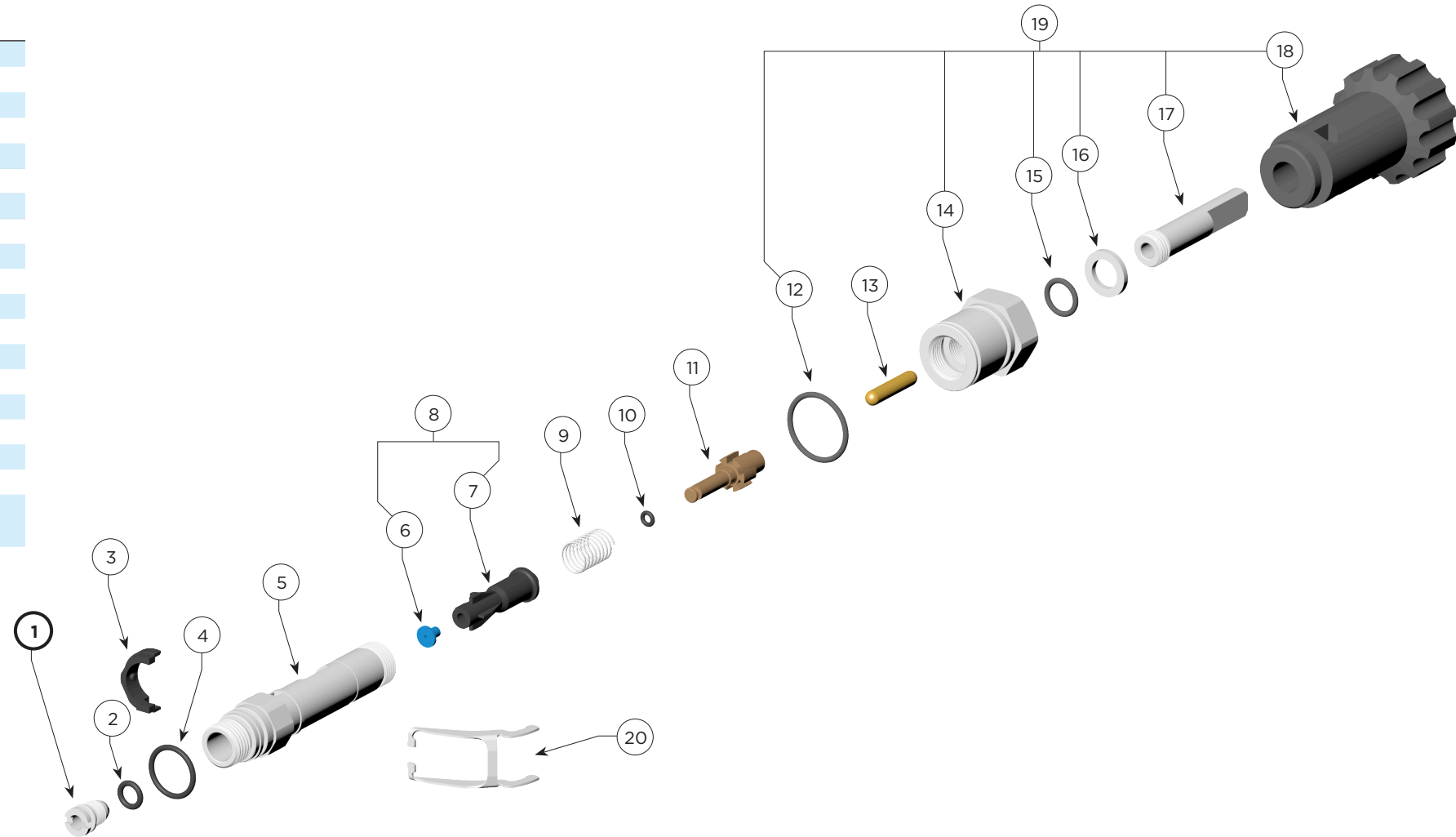
# Water Purge Assembly P/N 505-378

Location #	Part #	Description
1	550-383	Main Body
2	510-029	O-ring
3	910-101	O-ring
4	520-252	Valve Seat Insert
5	510-697	Exhaust Valve
6	910-101	O-ring
7	550-082	Valve Cap
8	550-381	Compression Sleeve
9	535-005	Spring
10	550-645	Water Dump Spring Adjuster, Insert
11	550-382	Retaining Cap
12	540-014	Retaining Ring



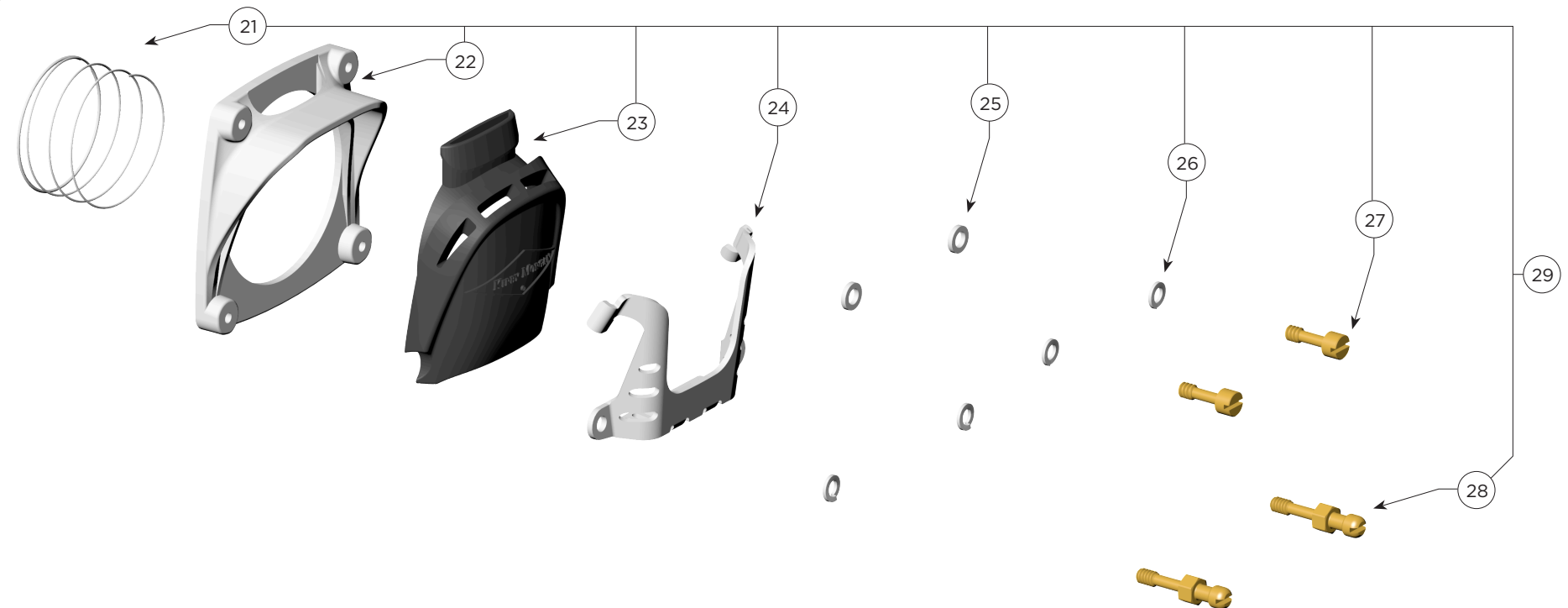
## Diamond Main Tube Assembly P/N 505-752

Location #	Part #	Description
1	550-163	Adjustable Nipple (Large Bore)
2	510-010	O-ring
3	220-056	Lever Bearing Clip
4	510-015	O-ring
5	550-179	Diamond Main Tube
6	210-060	Valve Seat
7	220-050SS	Inlet Valve, Stainless Steel Tube
8	205-020	Inlet Valve Assembly
9	235-015	Spring
10	210-055	O-ring, Balanced
11	550-549	Balance Spacer
12	510-018	O-ring
13	550-643	Transfer Pin
14	550-567	Adjustment Packing Nut
15	510-012	O-ring
16	550-640	Shaft Bearing Washer
17	550-158	Adjustment Shaft
18	520-517	Flex Knob
19	505-088	Adjustment (Flex) Knob/Packing Nut Assembly (Loc. #13 NOT Included)
20	240-008	Lever Arm



## Regulator Cover Assembly P/N 505-373

21	535-010	Assist Spring
22	560-558	Regulator Cover Frame
23	510-788	Regulator Purge Cover
24	540-053	Cover Guard
25	530-518	Washer
26	330-405	Lock Washer
27	530-099	Cover Retainer Screw
28	550-074	Bishop Pin
29	505-373	Regulator Cover Assembly



# Diamond Exhaust Assembly P/N 505-400

Location #	Part #	Description
1	550-184	Split Retainer
2	830-015	Screw
3	550-631	Control Knob
4	510-128	O-ring
5	505-135	Spring Adjuster
6	535-403	Overpressure Spring
7	550-635	Retainer Housing
8	535-401	Puck Spring
9	505-366	Puck w/Pin
10	510-779	Puck Exhaust Valve
11	550-576	Puck Seat Insert
12	910-103	O-ring, Inner Ring, Exhaust
13	540-012	Retainer Ring
14	510-696	Exhaust Valve
15	520-022	Exhaust Valve Insert
16	550-590	Mount Block
17	510-019	O-ring
18	540-013	Housing Retaining Ring
19	545-300	Remote Exhaust Main Body Assembly
20	510-404	1st Stage Diamond Diaphragm Assembly
21	550-610	Top Diaphragm Cover
22	530-309	Cap Screw
23	550-618	Adapter Outlet
24	510-017	O-ring
25	510-026	O-ring
26	550-165	Valve Seat Insert-8
27	510-023	2nd Stage O-ring Seal
28	505-410	Diamond Exhaust Sub-Assembly
29	535-400	2nd Stage Diaphragm Spring
30	510-405	2nd Stage Diamond Diaphragm Assembly
31	545-310	Bottom Diaphragm Cover Assembly

