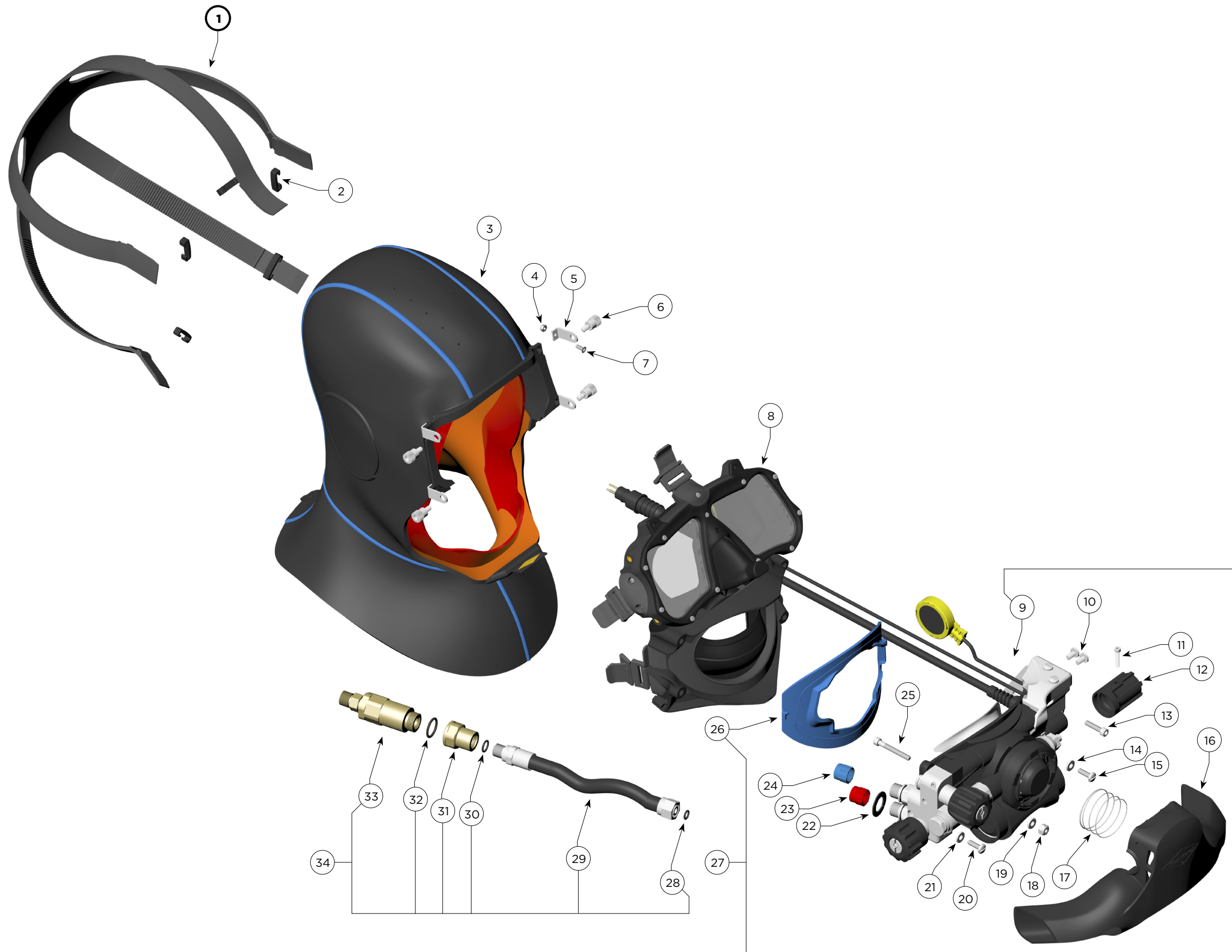


# P/N 500-800 Surface Supplied MOD-1

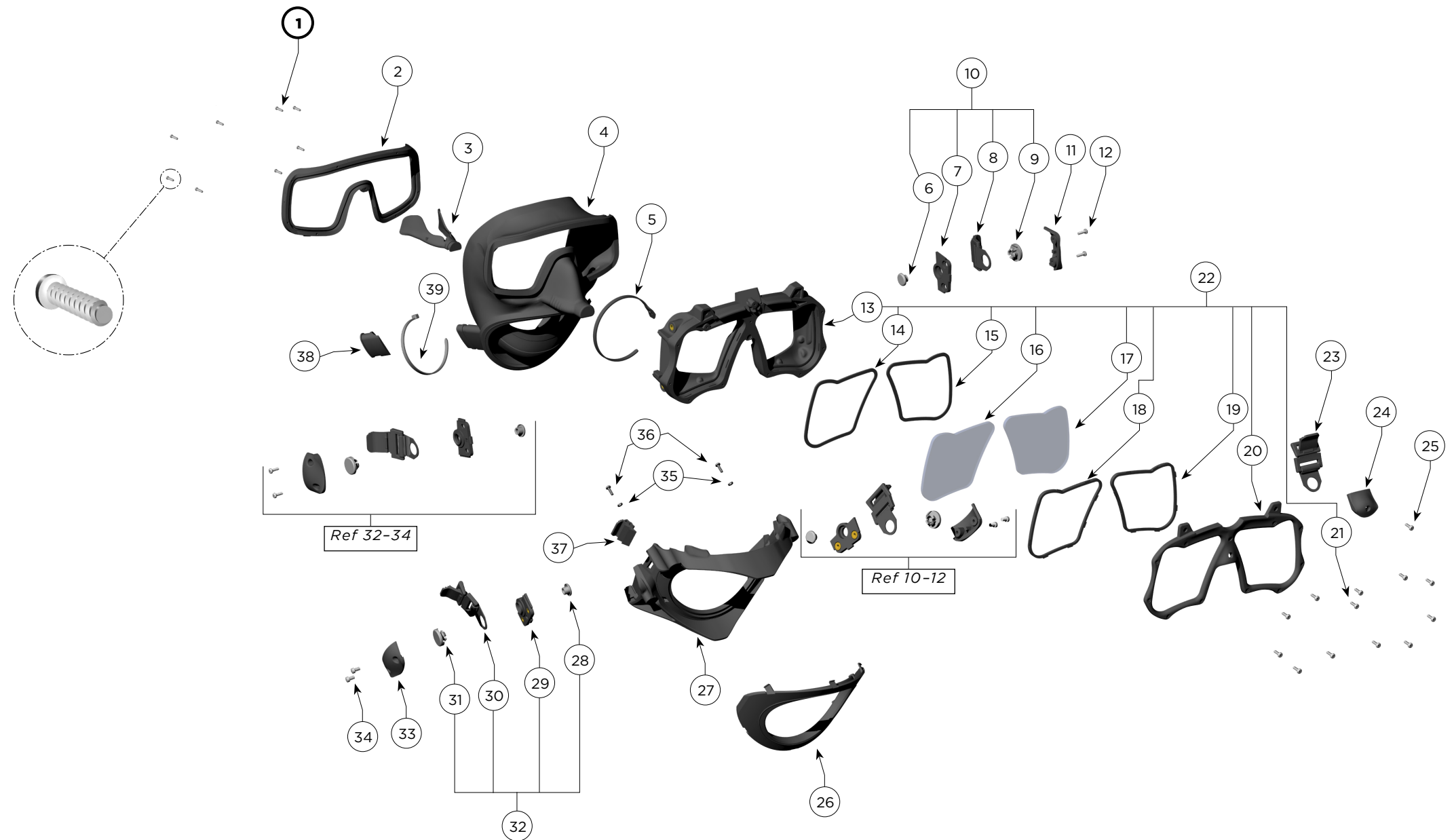
Location #	Part #	Description
1	810-007	Mask Strap
2	820-225	Strap Keeper
3	805-125	MOD-1 Hood Assembly w/Bib L/XL, 7 mm <i>(includes loc. #4, 5 and 7)</i>
4	330-105	Nut <i>(included with loc. #3)</i>
5	840-010	Hood Frame Bracket <i>(included with loc. #3)</i>
6	850-095	Hood Mount Block Stud
7	830-047	Screw <i>(included with loc. #3)</i>
8	805-180	Mask, M-48 MOD-1, w/ Vent Passages
9	805-225	Surface Supplied Pod
10	530-052	Screw
11	230-017	Adjustment Knob Screw
12	850-015	Adjustment Knob
13	830-076	Screw
14	530-527	Washer
15	530-070	Screw
16	810-131	Regulator Exhaust Cover
17	535-010	Assist Spring
18	530-145	Lock Nut
19	530-527	Washer
20	530-070	Screw
21	530-527	Washer
22	850-002	EGS Split Washer
23	805-039	Cap, w/O-ring-Red
24	805-038	Cap w/O-ring
25	830-072	Screw
26	810-153	Pod Gasket
27	825-225	Surface Supplied Pod Kit <i>(includes locs. #9-26)</i>
28	510-010	O-ring <i>(included with loc. #29)</i>
29	855-010	Jumper Hose (L.P.) Supply Assembly
30	510-012	O-ring <i>(included with loc. #29)</i>
31	850-155	Adapter
32	510-483	O-ring <i>(included with loc. #33)</i>
33	505-060	One-Way Valve Assembly
34	805-145	Jumper Hose Assembly



\* Denotes a critical component

# P/N 805-180 Mask, M-48 MOD-1, w/Vent Passages

Loc #	Part #	Description	
1	830-050	Screw	
2	820-235	Skirt Lens Body Retainer	
3	805-130	Nose Pinch Assembly	
4	810-037	Mask Skirt w/ Vent Passages	
5	820-091	Low Profile Tie Wrap	
6	820-025	Lock Plug	Buckle
7	820-227	Buckle Mount Plate, Left	Assembly Can Be
8	805-028	Buckle Assembly, Non-Mag	Ordered Complete
9	820-026	Buckle Tab Hold Plug	Location # 10
10	805-153	Buckle Assembly, Non-Mag, Metal/Plastic, Left	
11	820-233	Buckle Cap, Left	
12	830-014	Screw	
13	820-220	Lens Body	
14	810-150	Lens Gasket, Right	
15	810-151	Lens Gasket, Left	
16	865-010*	Lens, Right	
17	865-011*	Lens, Left	
18	820-223	Lens Keeper, Right	
19	820-224	Lens Keeper, Left	
20	820-238	Lens Keeper Retainer	
21	830-011	Screw	
22	805-240	Lens Body Assembly, Surf-Sup	
23	805-028	Buckle Assembly, Non-Mag	
24	820-230	Buckle Cap, Top	
25	830-011	Screw	
26	820-041	Jaw Frame Retainer	
27	820-036	Jaw Frame	
28	820-025	Lock Plug	Buckle
29	820-226	Buckle Mount Plate, Right	Assembly Can Be
30	805-028	Buckle Assembly, Non-Mag	Ordered Complete
31	820-026	Buckle Tab Hold Plug	Location # 32
32	805-152	Buckle Assembly, Non-Mag, Right	
33	820-232	Buckle Cap, Right	
34	830-014	Screw	
35	330-205	Washer	
36	830-011	Screw	
37	820-045	Pod Catch	



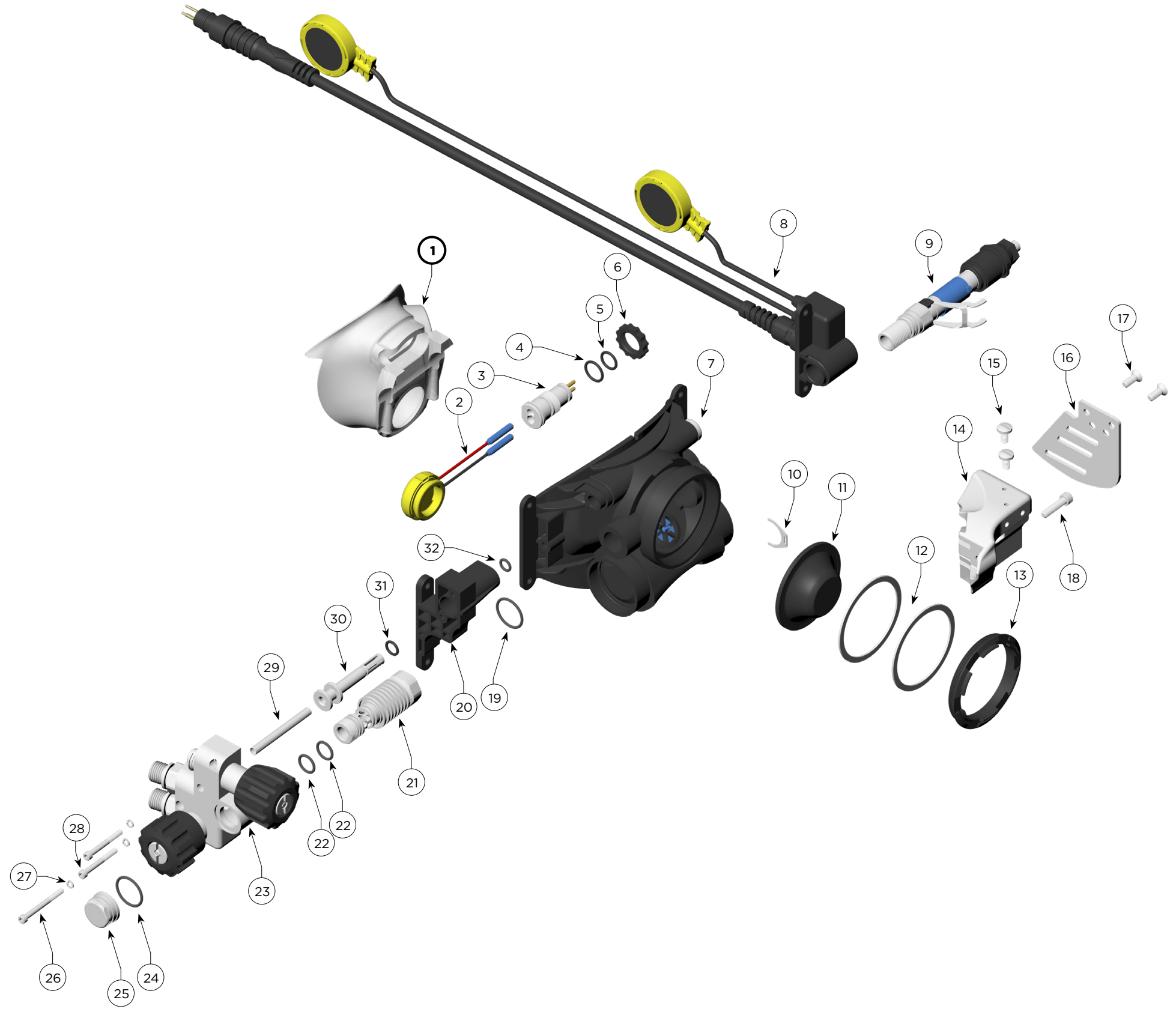
Loc #	Part #	Description
38	820-155	Comm Port Plug
39	520-038	Tie Wrap

\* Denotes a critical component

# P/N 805-225 Surface Supplied Pod

Location #	Part #	Description
1	810-129	Oral Cup
2	815-039	Surface Supplied Microphone Assembly
3	815-040	Connector Body Assembly (includes loc. #4 and 5)
4	510-481	O-ring
5	510-013	O-ring
6	850-131	Wheel Nut
7	805-220	Regulator Pod Sub-Assembly
8	815-045	Communications Junction Module Assembly
9	805-250	Main Tube Assembly/Surf-Sup
10	240-009	Packing Lock Clip
11	210-041	Diaphragm
12	220-032	Diaphragm Washer
13	220-033	Diaphragm Retainer Ring
14	860-001	Weight
15	530-052	Screw
16	840-015	Guard
17	830-046	Screw
18	830-078	Screw
19	510-017	O-ring
20	820-098	Side Block Mount Frame
21	850-129*	Banjo Tube
22	510-013	O-ring
23	805-205	Side Block Sub-Assembly w/Emergency Valve
24	510-017	O-ring
25	850-124	Cap
26	830-073	Mount Screw, Long
27	830-033	Lock Washer
28	830-041	Mount Screw
29	850-001	Muffler Screen
30	850-146	Steady Flow Supply Tube
31	510-011	O-ring
32	510-010	O-ring

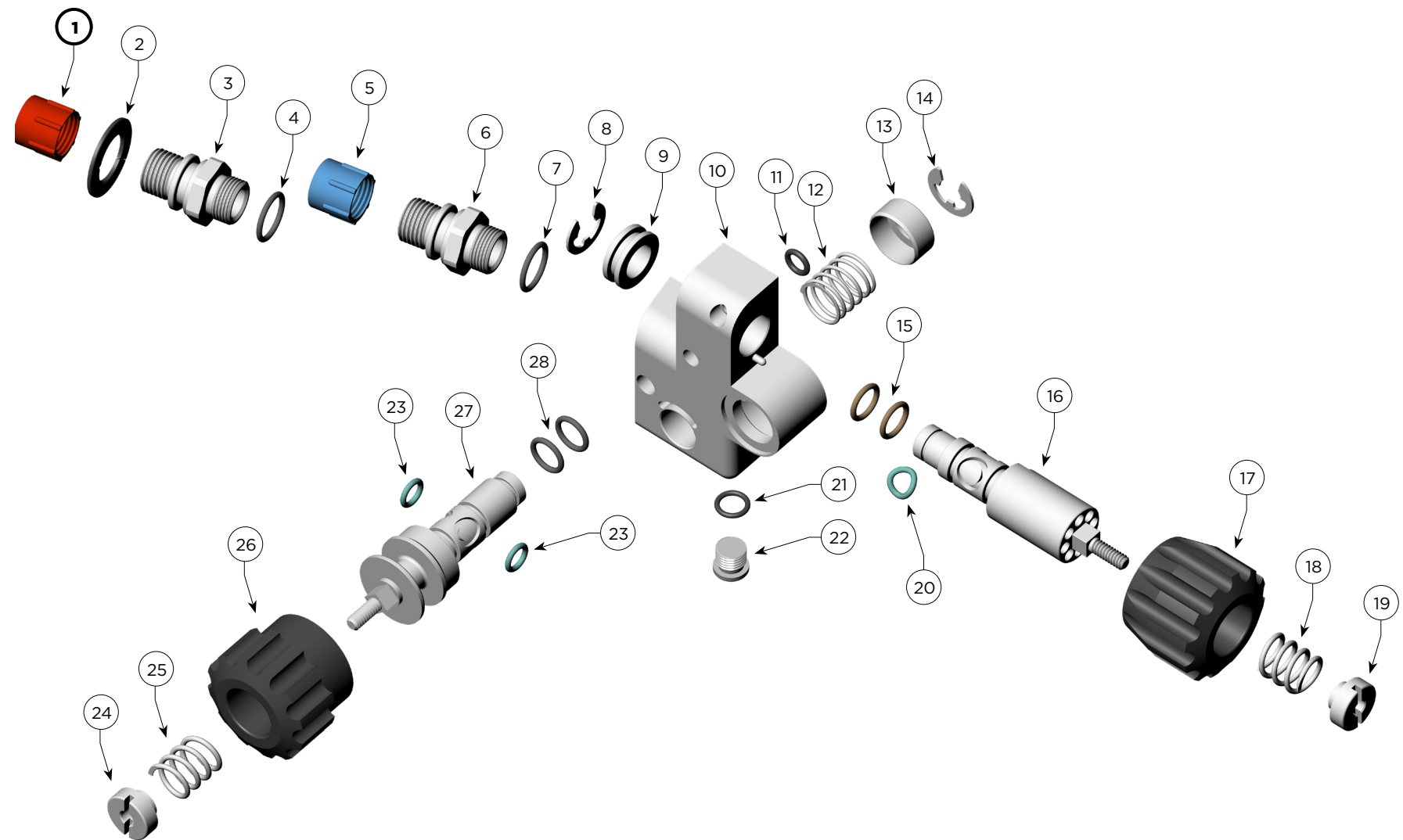
\* Denotes a critical component



## P/N 805-205 Side Block Sub-Assembly w/Emergency Valve

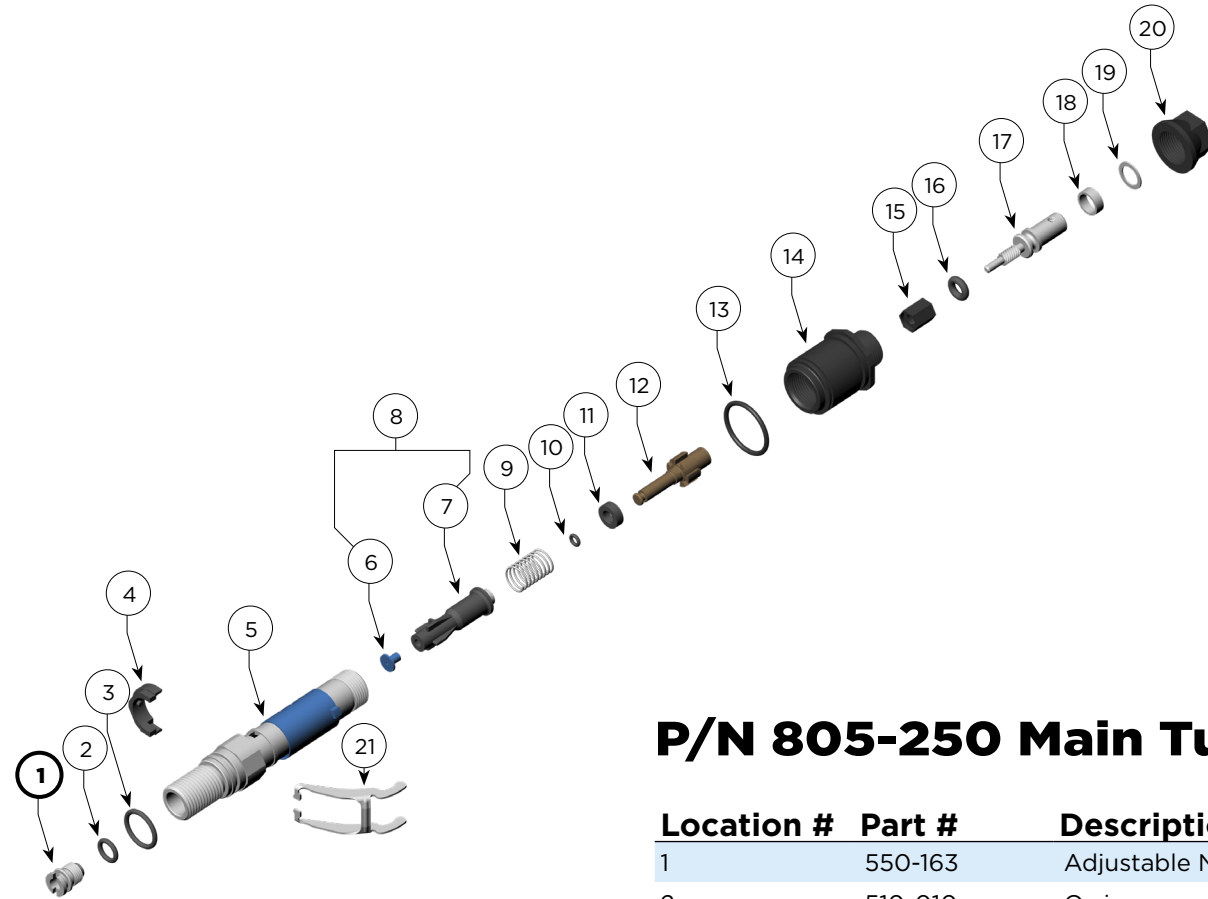
Location #	Part #	Description
1	805-039	Cap, w/O-ring (Red)
2	850-002	EGS Split Washer
3	850-126*	Hose Adapter
4	510-014	O-ring
5	805-038	Cap, w/O-ring (Blue)
6	850-126*	Hose Adapter
7	510-014	O-ring
8	830-074	Spring Clip
9	850-127	Spacer Washer
10	850-065	Side Block Body
11	510-010	O-ring
12	835-004	EGS Spring
13	850-128	Spring Cup
14	830-074	Spring Clip
15	810-012	O-ring
16	850-122	Steady Flow Control Stem
17	520-525	Control Knob
18	535-802	Spring
19	550-019	Lock Nut
20	810-128	Sweep O-ring
21	310-003	O-ring (included w/loc. #22)
22	550-095	Plug w/O-ring
23	810-128	Sweep O-ring
24	550-019	Lock Nut
25	535-802	Spring
26	850-175	EGS Control Knob
27	850-121	EGS Control Stem
28	510-012	O-ring

\* Denotes a critical component



## P/N 805-220 Regulator Pod Sub-Assembly

Location #	Part #	Description
1	220-086	Flow Baffle
2	805-215	Regulator Pod Housing Sub-Assembly
3	510-012	O-ring
4	850-132	Port Plug
5	510-776	Exhaust Valve
6	540-012	Retaining Ring
7	520-022	Valve Seat Insert
8	510-019	O-ring
9	810-025	Valve, Purge
10	510-776	Exhaust Valve
11	810-041	Cover Gasket
12	820-097	Chamber Cover
13	830-014	Screw



## P/N 805-250 Main Tube Assembly/Surf-Sup

Location #	Part #	Description
1	550-163	Adjustable Nipple (Large Bore)
2	510-010	O-ring
3	510-015	O-ring
4	220-056	Lever Bearing Clip
5	250-059	Main Tube
6	210-060	Valve Seat
7	220-050SS	Inlet Valve
8	205-020	Inlet Valve Assembly
9	235-015	Spring
10	210-055	O-ring, Balanced
11	250-065	Washer
12	850-170	Balanced Spacer, Surface Supplied
13	510-018	O-ring
14	250-012	Adjustment Guide Insert
15	220-079	Spring Seat
16	210-056	O-ring
17	250-013	Adjustment Shaft
18	220-080	Spacer
19	220-031	Thrust Washer
20	220-021	End Cap Packing Nut
21	240-008	Lever Arm

