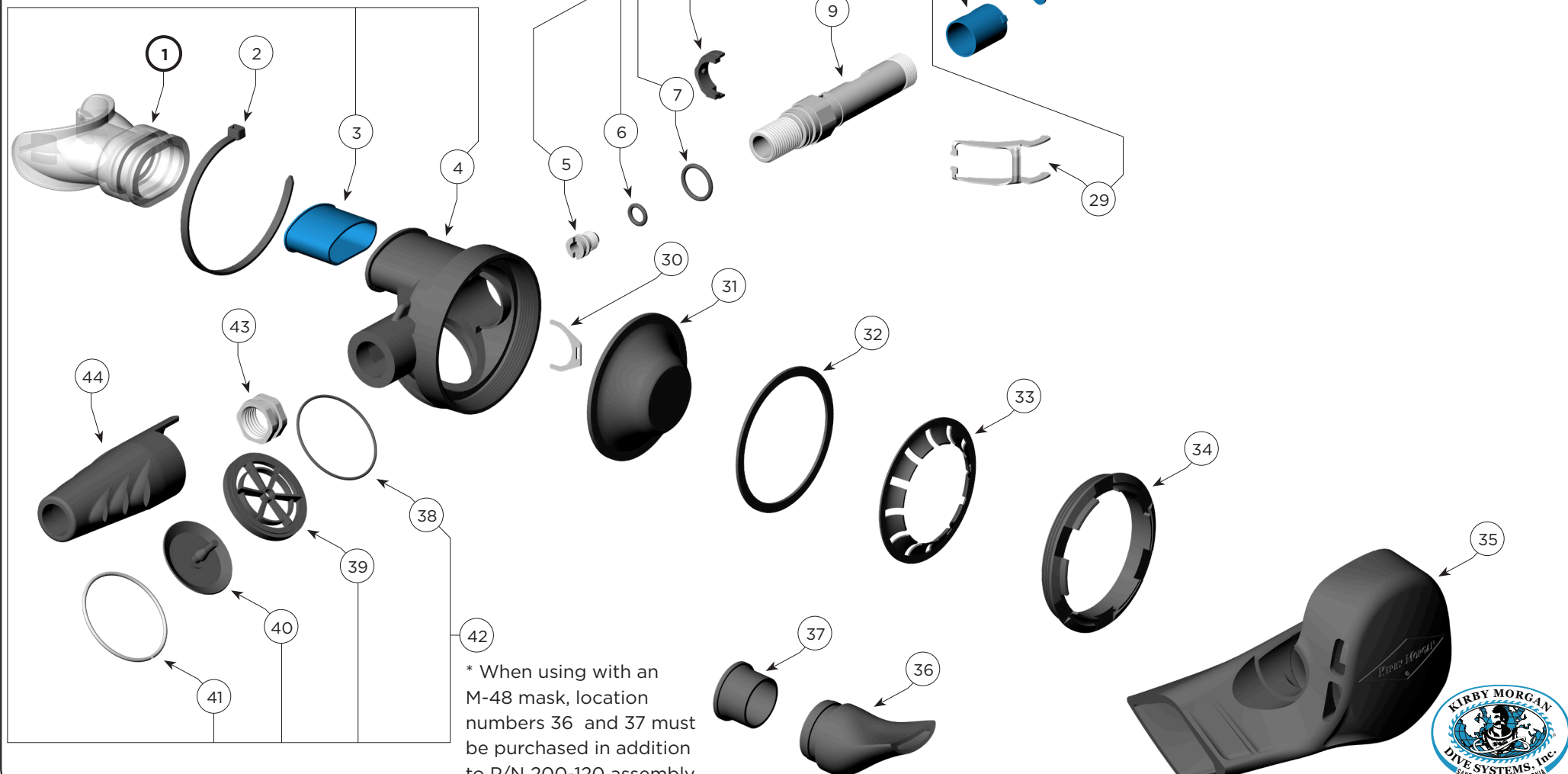


# Balanced SCUBA Regulator Assembly P/N 200-120

Location #	Part #	Description
1	310-278	Mouthpiece
2	520-039	Tie Wrap
3	220-086	Flow Baffle
4	220-041	Regulator Housing
5	250-031	Adjustable Nipple
6	510-010	O-ring
7	510-015	O-ring
8	220-056	Lever Bearing Clip
9	250-059	Main Tube
10	220-090	Flow Sleeve
11	210-060	Valve Seat
12	Order 205-020	Inlet Valve
13	205-020	Inlet Valve Assembly
14	235-015	Spring
15	210-055	O-ring, Balanced

**NOTE:** Location #10 is NOT service removable. **DO NOT REMOVE OR MOVE FLOW SLEEVE.**



Location #	Part #	Description
16	250-065	Washer <b>NOTE:</b> This washer to be used ONLY with 550-549 (brown) Balance Spacer
17	550-549	Balance Spacer
18	510-017	O-ring
19	250-012	Adjustment Guide Insert
20	220-079	Spring Seat
21	210-056	O-ring
22	250-013	Adjustment Shaft
23	220-080	Spacer
24	220-031	Thrust Washer
25	220-021	End Cap Packing Nut
26	205-030	Main Tube Assembly
27	220-085	Adjustment Knob
28	230-017	Adjustment Knob Screw
29	240-008	Lever Arm
30	240-009	Packing Lock Clip
31	210-041	Diaphragm
32	220-032	Diaphragm Washer
33	220-034	Diaphragm Surge Dam
34	220-033	Diaphragm Retainer Ring
35	220-042	Regulator Shroud/Exhaust Cover
36	*220-087	Purge Tube, Balanced
37	*220-057	Purge Sleeve, Balanced
38	510-019	O-ring
39	520-022	Exhaust Valve Insert
40	510-776	Exhaust Valve
41	540-012	Retaining Ring
42	205-025	Regulator Body Assembly
43	250-058	Jam Nut
44	220-088	Hose Protector

\* When using with an M-48 mask, location numbers 36 and 37 must be purchased in addition to P/N 200-120 assembly.



**Kirby Morgan Dive Systems, Inc.** 1430 Jason Way, Santa Maria, CA 93455  
 Phone: 805/928-7772 Fax: 805/928-0342  
[www.KirbyMorgan.com](http://www.KirbyMorgan.com) e-mail: [kmdsi@KirbyMorgan.com](mailto:kmdsi@KirbyMorgan.com)