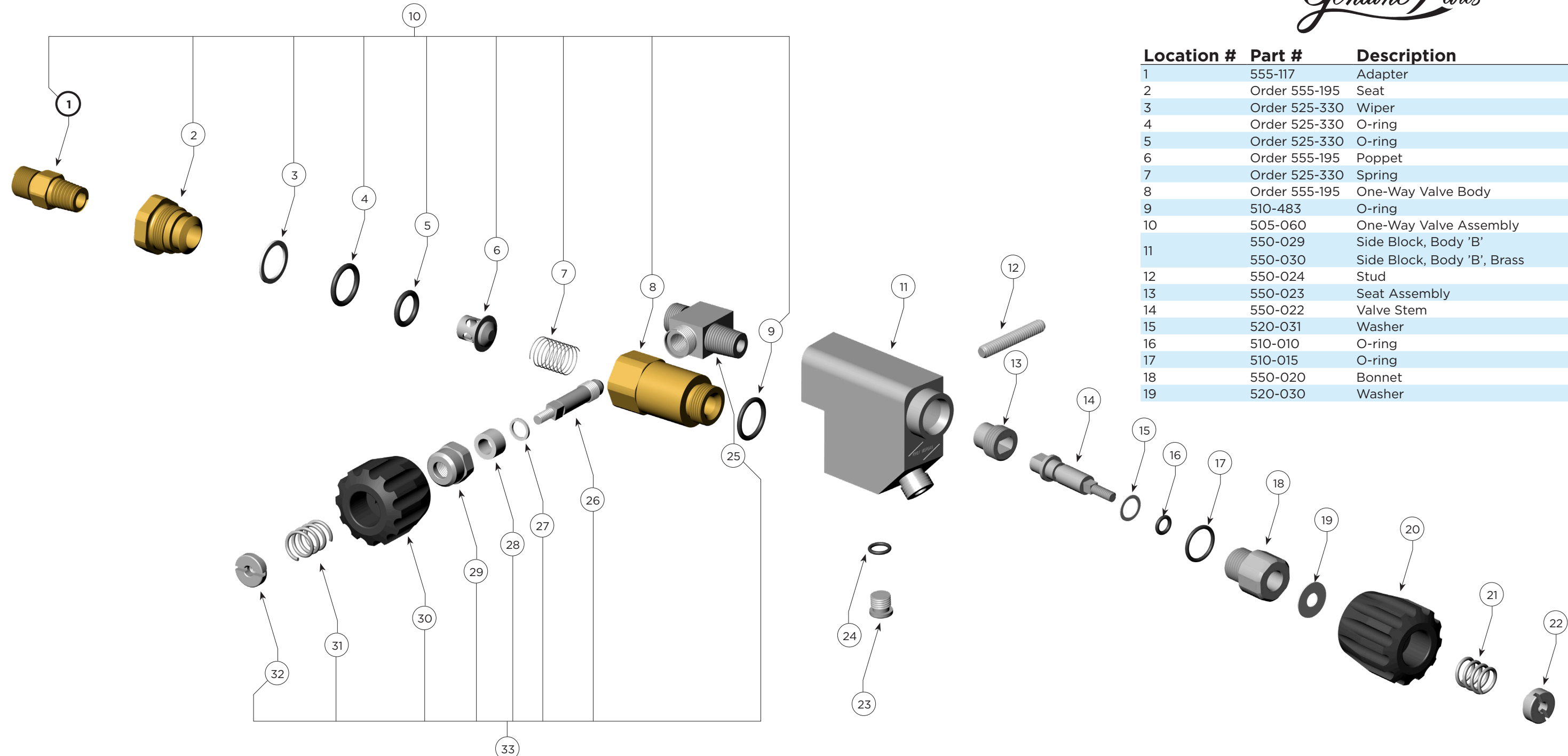


**Side Block Assembly P/N 505-024 (Chromed) & 505-025 (Brass)**



Location #	Part #	Description
1	555-117	Adapter
2	Order 555-195	Seat
3	Order 525-330	Wiper
4	Order 525-330	O-ring
5	Order 525-330	O-ring
6	Order 555-195	Poppet
7	Order 525-330	Spring
8	Order 555-195	One-Way Valve Body
9	510-483	O-ring
10	505-060	One-Way Valve Assembly
11	550-029	Side Block, Body 'B'
	550-030	Side Block, Body 'B', Brass
12	550-024	Stud
13	550-023	Seat Assembly
14	550-022	Valve Stem
15	520-031	Washer
16	510-010	O-ring
17	510-015	O-ring
18	550-020	Bonnet
19	520-030	Washer

Location #	Part #	Description
20	520-524	Flex Knob, Steady Flow
21	535-802	Spring
22	550-019	Lock Nut
	550-250	Lock Nut, Brass
23	550-095	Plug w/O-ring
24	310-003	O-ring - Included w/loc. #23)
25	550-140	Emergency Valve Body
	550-248	Emergency Valve Body, Brass
26	550-138	Valve Stem, Emergency

Location #	Part #	Description
27	540-095	Packing Washer
28	520-024	Packing
29	550-091	Packing Nut
30	520-525	Flex Knob, Emergency Valve
31	535-802	Spring
32	550-019	Locknut
	550-250	Lock Nut, Brass
33	505-070	Emergency Valve Assembly
	505-080	Emergency Valve Assembly, Brass



**Kirby Morgan Dive Systems, Inc.** 1430 Jason Way, Santa Maria, CA 93455  
 Phone: 805/928-7772 Fax: 805/928-0342  
[www.KirbyMorgan.com](http://www.KirbyMorgan.com) e-mail: [kmdsi@KirbyMorgan.com](mailto:kmdsi@KirbyMorgan.com)