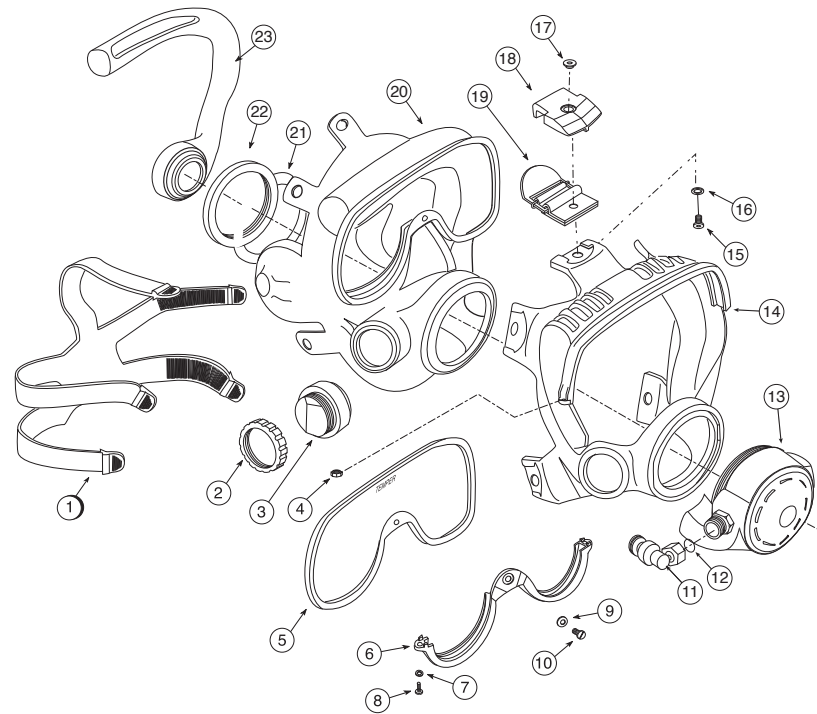
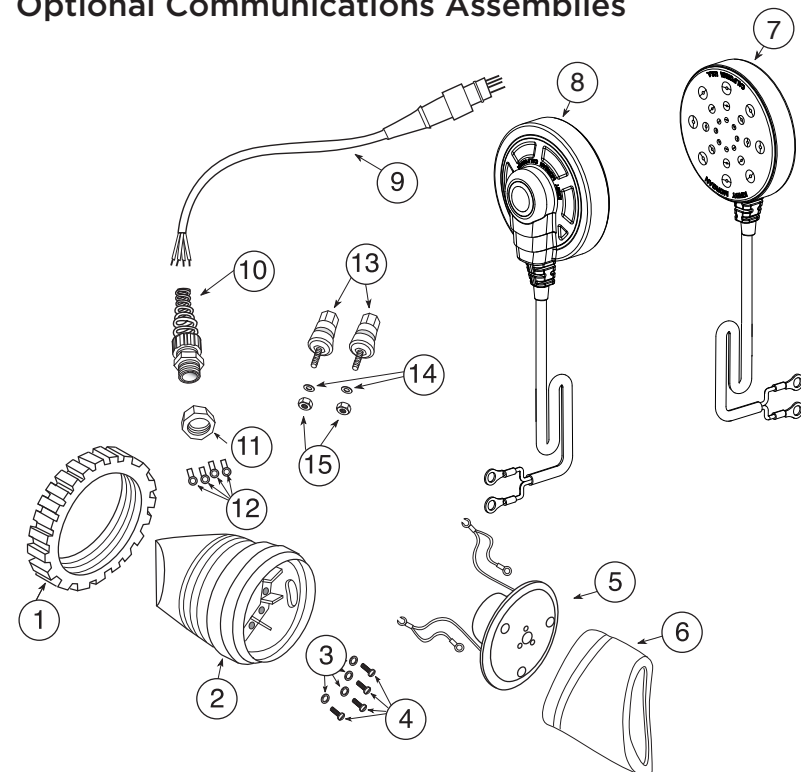


# Kirby Morgan EXO Original Full Face Mask

Location #	Part #	Description
1	310-025	Spider
2	320-026	Comm Mount Nut
3	305-020	Module w/screws
4	330-105	Nut
5	365-002	Face Lens Assembly, Molded
6	320-017	Lens Clamp, Black
7	330-205	Washer
8	330-005	Screw
9	330-506	Washer
10	330-010	Screw
11	305-017	Hi Flow air inlet swivel (includes #12)
12	510-010	O-ring
13	305-010	Regulator Assembly, EXO Original (includes #11)
14	320-015	EXO Frame, Black
15	330-020	Screw
16	330-210	Washer
17	350-040	T-Nut
18	320-019	Buckle Cap, black
19	345-010	Buckle Assembly, EXO 26 Mask
20	310-001	Mask Seal, EXO 26
21	320-040	Regulator Mount Washer
22	350-005	Regulator Mount Nut
23	310-015	Inlet Tube



## Optional Communications Assemblies

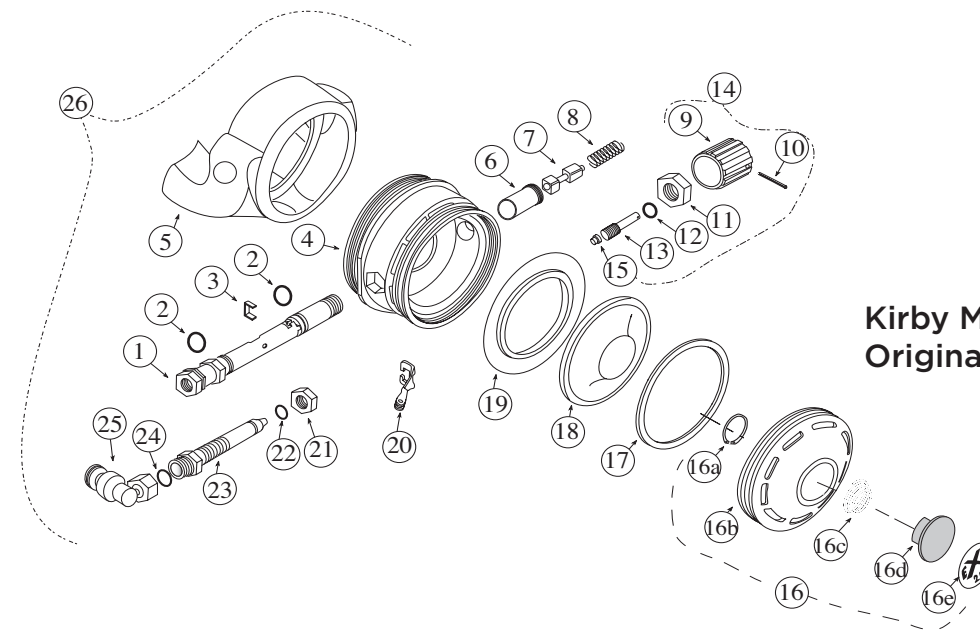


## Optional Communications Assemblies

Location #	Part #	Description
1	320-026	Comm Mount Nut
2	305-020	Module w/screws w/3 & 4
3	330-035	Washer
4	330-030	Screw
5	315-017	Microphone Assembly, EXO Orig.
6	310-060	Microphone Cup
7	315-016	Earphone, Left, EXO
8	315-015	Earphone Right, EXO
9	515-045	W.P. Connector, (Male) 4-Pin
10	315-005	Pigtail
11	350-070	Mount Nut
12	515-049	Single Wire Terminal
13	315-020	Comm. Posts
14	530-525	Washer
15	530-308	Hex Nut
<b>Complete Assemblies</b>		
	315-201	Comm Module complete Assem. w/comms & posts
	315-206	Comm Module complete Assem. w/comms & Male W.P.Connector

## Kirby Morgan EXO Original Regulator

Location #	Part #	Description	Location #	Part #	Description
1	350-010	Main Tube	16a	535-905	Retaining Clip
2	310-013	O-ring	16b	350-075	Regulator Cover
3	340-004	Horseshoe	16c	535-810	Spring, Purge Button
4	320-005	Regulator Body	16d	520-017	Purge Button
5	310-020	Exhaust Whisker	16e	320-070	EXO Purge Sticker
6	350-035	Sleeve	17	320-030	Washer
7	305-030	Inlet Valve, EXO Orig./Std.	18	510-553	Diaphragm
8	335-005	Spring	19	310-065	Exhaust Valve
9	320-035	Knob, Adjustment	20	545-038	Roller Lever Arm Assembly
10	530-601	Retaining Pin	21	350-020	Nut, Adjustment
11	350-025	Packing Nut	22	510-010	O-ring
12	510-011	O-ring	23	350-015	Nipple Tube
13	350-045	Shaft, Adjustment	24	510-010	O-ring
14	305-015	Reg Adjustment Assembly	25	305-017	Hi Flow air inlet swivel(w/ 24)
15	350-065	Spacer, Delrin	26	305-010	Regulator Assembly, EXO Orig.
16	305-005	Cover Assembly (EXO)			



Kirby Morgan EXO Original Regulator

### CAUTION

Use only Kirby Morgan original replacement parts. The use of other manufacturers' parts will interfere with the performance characteristics of your life support equipment and may jeopardize your safety. Additionally, any substitutions will void any warranties offered by KMDSI. When ordering spares, always insist on Kirby Morgan original parts.



Kirby Morgan Dive Systems, Inc.® 1430 Jason Way, Santa Maria, CA 93455

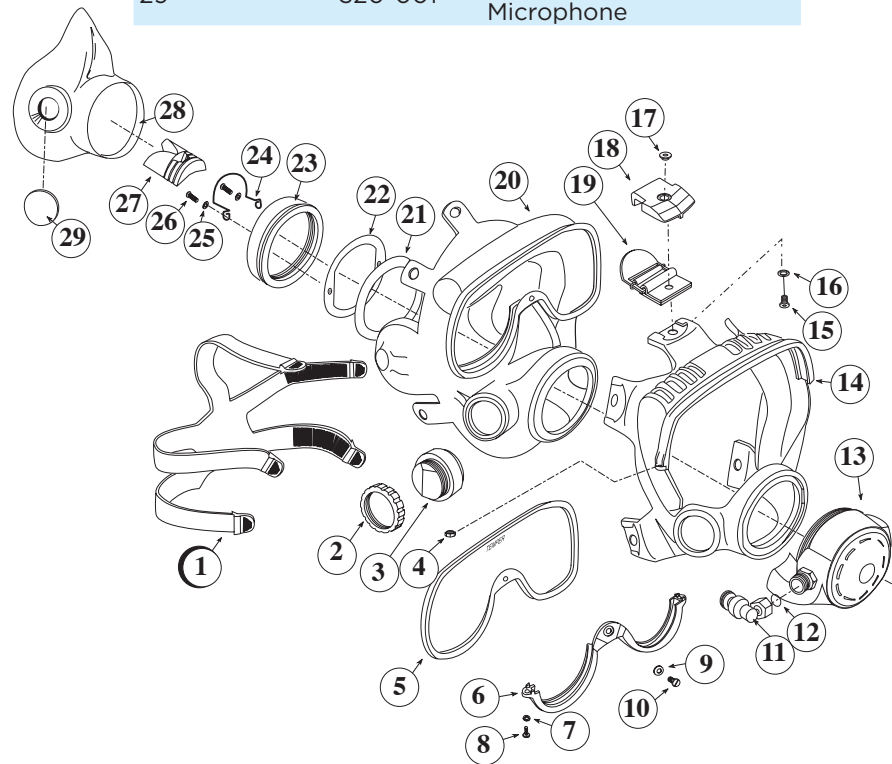
Phone: 805/928-7772 Fax: 805/928-0342

www.KirbyMorgan.com e-mail: kmdsi@KirbyMorgan.com

# Kirby Morgan EXO Standard Full Face Mask P/Ns 300-040, 300-041, 300-042

Location #	Part #	Description
1	310-025	Spider
2	320-026	Comm Mount Nut
3	305-020	Module w/screws
4	330-105	Nut
5	365-002	Face Lens Assembly, Molded
6	320-017	Lens Clamp, black
7	330-205	Washer
8	330-005	Screw
9	330-506	Washer
10	330-010	Screw
11	305-017	Hi Flow air inlet swivel(includes #12)
12	510-010	O-ring
13	305-055	Regulator Assembly (includes #11) (Not available as an assembly)
14	320-015	EXO Frame, Black
15	330-020	Screw
16	330-210	Washer
17	350-040	T-Nut
18	320-019	Buckle Cap, black
19	345-010	Buckle Assembly, EXO-26 Mask
20	310-001	Mask Seal, EXO-26
21	320-040	Reg. Mount Washer
22	340-015	Mount Ring, EXO BR
23	350-047	Mount Nut, Regulator
24	330-900	Wire Retainer

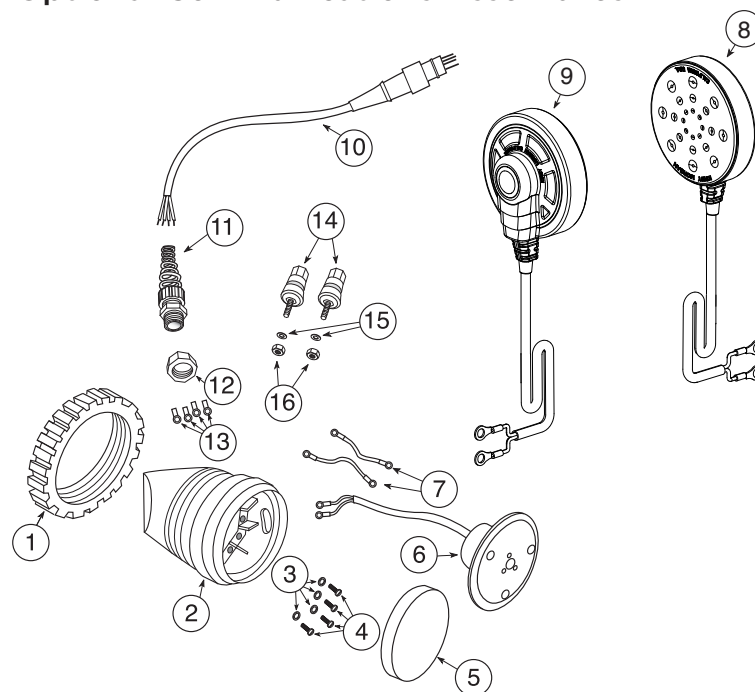
Location #	Part #	Description
25	330-515	Washer
26	330-040	Screw
27	310-357	Equalizer, EXO
28	Order P/N 325-055	Oral Nasal Mask w/Tie Wraps
29	320-001	Plug, EXO Oral Nasal Microphone



## Optional Communications Assemblies

Location #	Part #	Description
1	320-026	Comm Mount Nut
	305-020	Module w/screws w/3 & 4
2	320-023	Comm Module, drilled for posts
	320-024	Comm Module, drilled for W.P.C.
3	330-035	Washer
4	330-030	Screw
5	510-630	Cover, Comm. Module
6	515-020	Microphone, EXO BR & Std.
7	515-055	Wiring Harness, Posts
8	315-016	Earphone Left, EXO
9	315-015	Earphone Right, EXO
10	515-045	W.P. Connector, (Male) 4-Pin
11	315-005	Pigtail
12	350-070	Mount Nut
13	515-049	Single Wire Terminal
14	315-020	Comm Posts
15	530-525	Washer
16	530-308	Hex Nut

## Optional Communications Assemblies



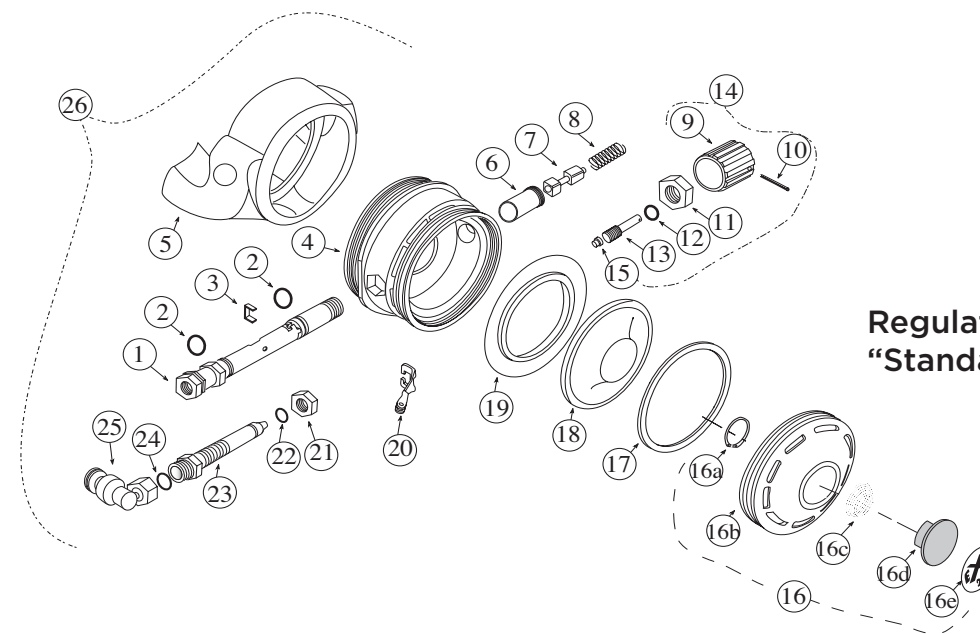
## Complete Assemblies

315-210	Comm. Assembly w/ Posts, Std/BR
315-215	Comm. Assembly Male W.P. Connector, Std/BR

## Regulator Assembly, "Standard" P/N 305-055

Location #	Part #	Description
1	350-010	Main Tube
2	310-013	O-ring
3	340-004	Horseshoe
4	320-084	Regulator Body
5	310-020	Exhaust Whisker
6	350-035	Sleeve
7	305-030	Inlet Valve
8	335-005	Spring
9	320-035	Knob, Adjustment
10	530-601	Retaining Pin
11	350-025	Packing Nut
12	510-011	O-ring
13	350-045	Shaft, Adjustment
14	305-015	Adjustment Knob Assembly (Loc. #9-13)
15	350-065	Spacer
16	305-005	Cover Assembly (EXO)
16a	535-905	Retaining Clip

Location #	Part #	Description
16b	350-075	Regulator Cover
16c	535-810	Spring, Purge Button
16d	520-017	Purge Button
16e	320-070	EXO Purge Sticker
17	320-030	Washer
18	510-553	Diaphragm
19	310-065	Exhaust Valve
20	545-038	Roller Lever Arm Assembly
21	350-020	Nut, Adjustment Lock
22	510-010	O-ring
23	350-015	Nipple Tube
24	510-010	O-ring
25	305-017	Hi Flow air Inlet swivel (w/ 24)
26	305-055	Regulator Assembly, EXO Std.



Regulator Assembly, "Standard" P/N 305-055

## CAUTION

Use only Kirby Morgan original replacement parts. The use of other manufacturers' parts will interfere with the performance characteristics of your life support equipment and may jeopardize your safety. Additionally, any substitutions will void any warranties offered by KMDSI. When ordering spares, always insist on Kirby Morgan original parts.



Kirby Morgan Dive Systems, Inc.® 1430 Jason Way, Santa Maria, CA 93455

Phone: 805/928-7772 Fax: 805/928-0342

www.KirbyMorgan.com e-mail: kmdsi@KirbyMorgan.com